

# SUBMITTAL

## Elite CU362



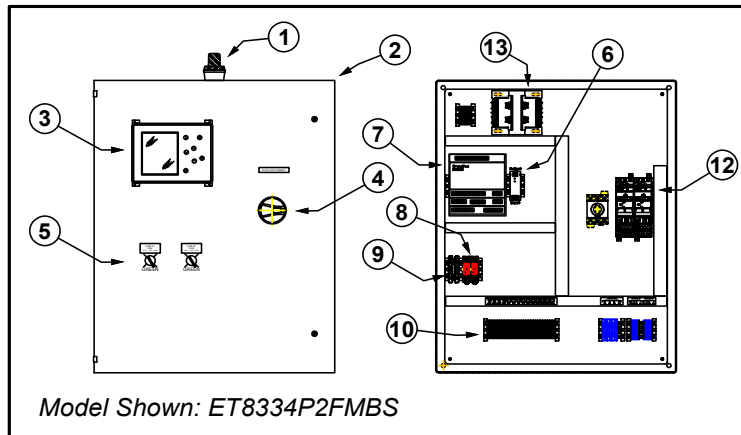


# FEATURES

- Type 4 Painted Steel Enclosure
- Lockable hinged front enclosure door
- Thru-the Door lockable main disconnect
- Combination Circuit Breaker/Overload/Contactor motor starter assembly
- Grundfos CU 362 User Configurable Sump Controller with LCD Display
- Pump start/stop
  - Alternating operation of pumps
  - Overflow detection
  - Overflow measurement
  - Alarms and warnings
  - Advanced alarm schedules
  - Start and stop delays
  - User-defined functions
- Alternation between groups
- Start level variation
- Daily emptying
- Foam draining
- Maximum number of started pumps
- Pump Hand-On-Auto selector switch
- High Temp Motor Protection Circuit
- Pump Seal Failure Monitoring
- Control Voltage Stepdown Transformer
- 24 VDC Power Supply
- 360° visible red alarm buzzer
- Configurable dry contact remote alarm interface
- Numbered screw type field termination block
- Field wiring diagram and installation instructions included.

# PANEL COMPONENTS

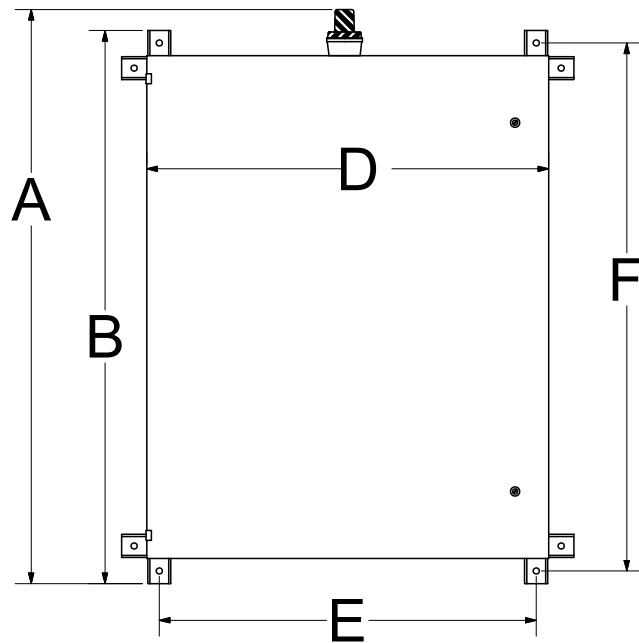
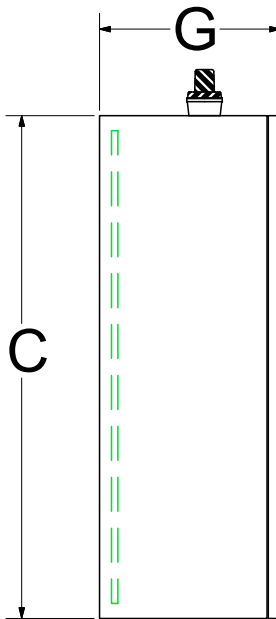
1. Alarm Beacon
2. TYPE 4 Enclosure
3. Grundfos CU362 Controller
4. Main Disconnect Thru-Door
5. Pump Selector switch
6. 24vdc Power Supply
7. Grundfos IO351B I/O module
8. Control Relay
9. Seal fail Monitoring (option)
10. Moisture Switch monitoring (option)
11. Water-In-Oil monitoring (option)
12. Control Wiring Fuse indicator
13. Terminal Strip
14. Alarm Horn
15. Motor Starter Combo Circuit Breaker/Overload (3Phase Only)
16. Control Transformer (3Phase Only)



# ENCLOSURE DIMENSIONS

## DUPLEX STANDARD -30x24x10

A	B	C	D	E	F	G
34.25	33	30	24	22.50	31.50	10.795



# Panel Details

	<b>Voltage</b>
(11)	120 1 Phase
(12)	208-240 1 Phase
(32)	208-230 3 Phase
(34)	460-480 3 Phase
(36)	600vac - 3 Phase
(52)	Dual 208/240vac - 3Ph
(54)	Dual 460/480vac - 3Ph
(56)	Dual 600vac - 3Ph

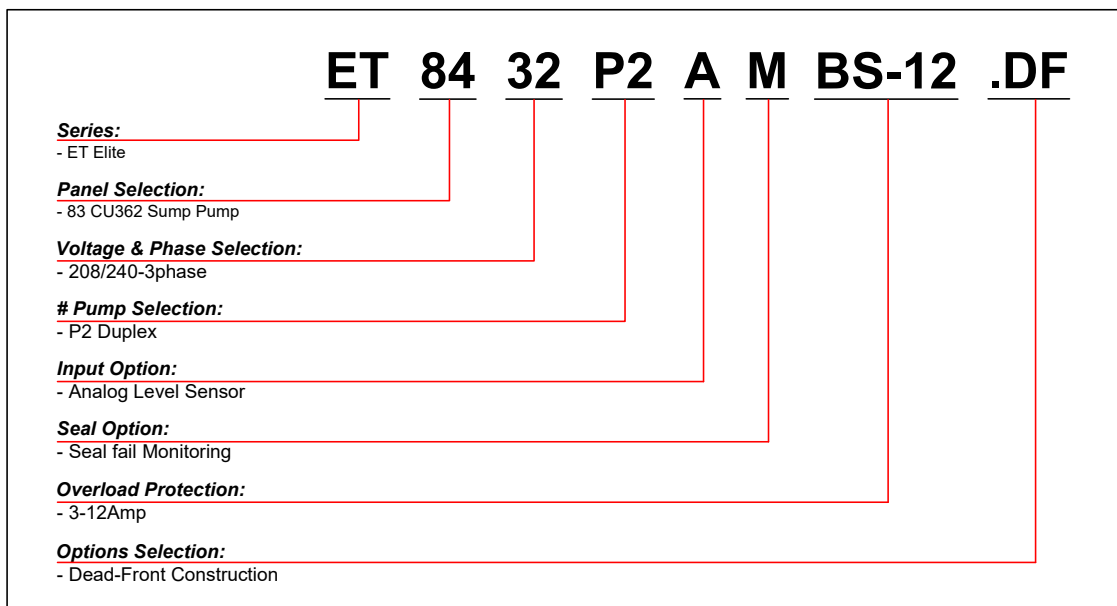
	<b>Type</b>
(P1)	Simplex
(P2)	Duplex
(P3)	Triplex
	Multi Pumps - Custom

	<b>Single Phase</b>
(B)	0-15 Amp
	<b>Three Phase</b>
(BS-5)	1.25 - 5 Amp
(BS-12)	3 - 12 Amp
(BS-32)	8 - 32 Amp
	High Amperage - Custom

	<b>Pump Seal Monitor</b>
(M)	Moisture Switch
(S)	Seal Fail Probe
(W)	Water-In-Oil Grundfos

	<b>Options</b>
(DF)	Dead-Front Construction
(IS)	Intrinsically Safe Circuit
(BI)	BACnet interface
(6K)	65K SCCR
(SS)	Stainless Steel
(A)	Analog Level Sensor
(GRM)	Grundfos Remote Monitoring System
	UL508A & UL698A listed

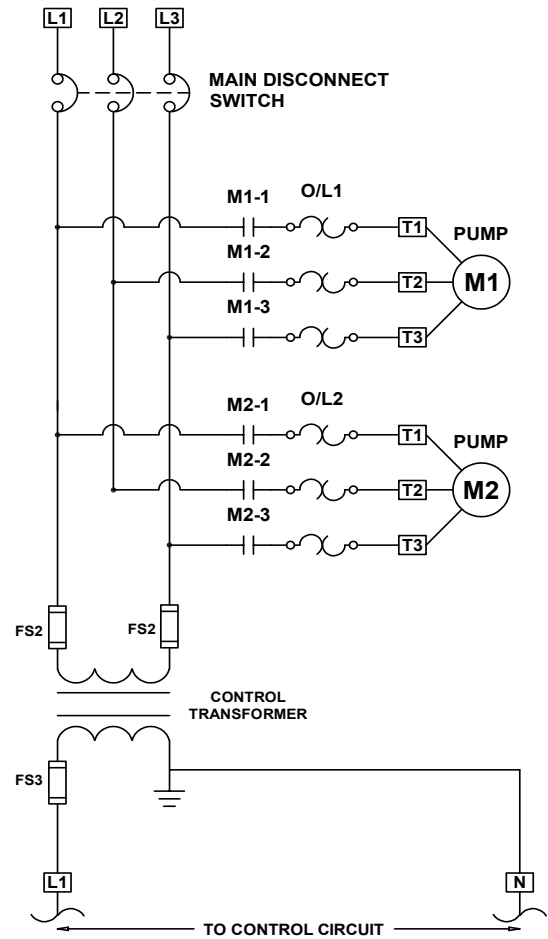
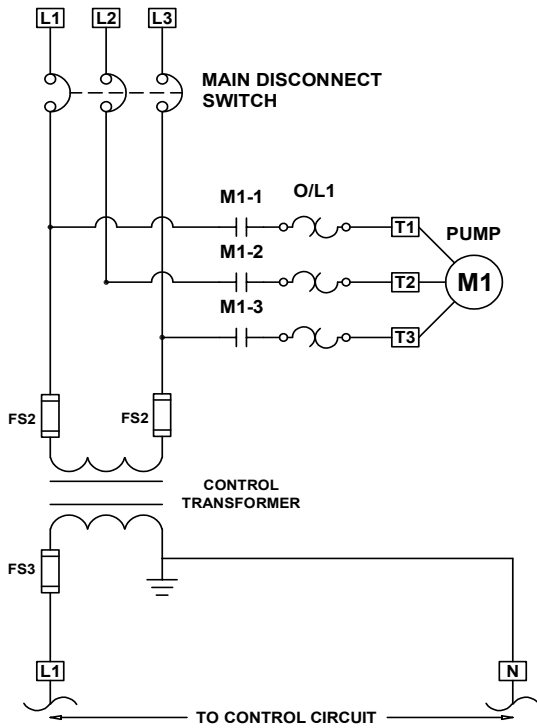
# PANEL SELECTION BREAKDOWN



# MOTOR CONTROLS

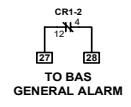
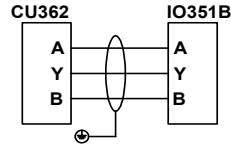
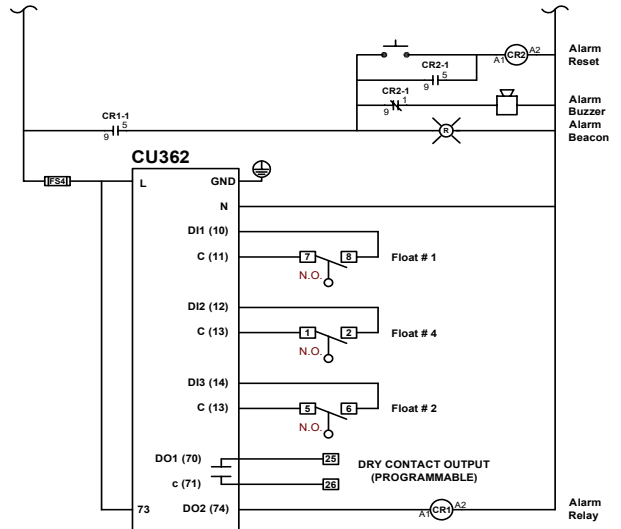
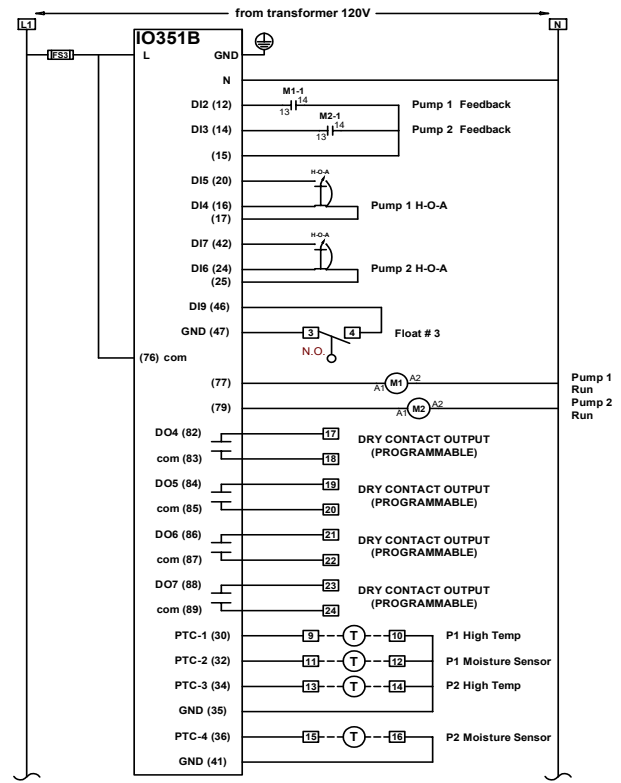
1. Standard Motor Controls Incoming Power Service of 200/240/480vac - 3 phase. Simplex and Duplex setup (Figure 1). Adder Options Available.

Figure 3.1

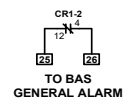
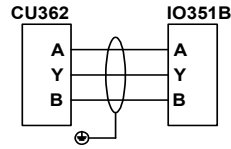
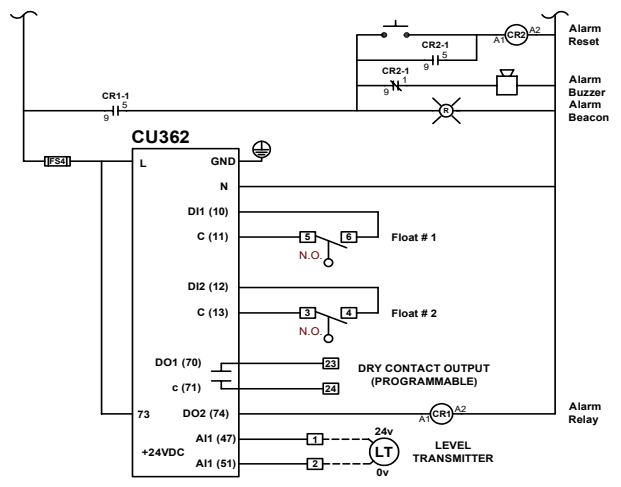
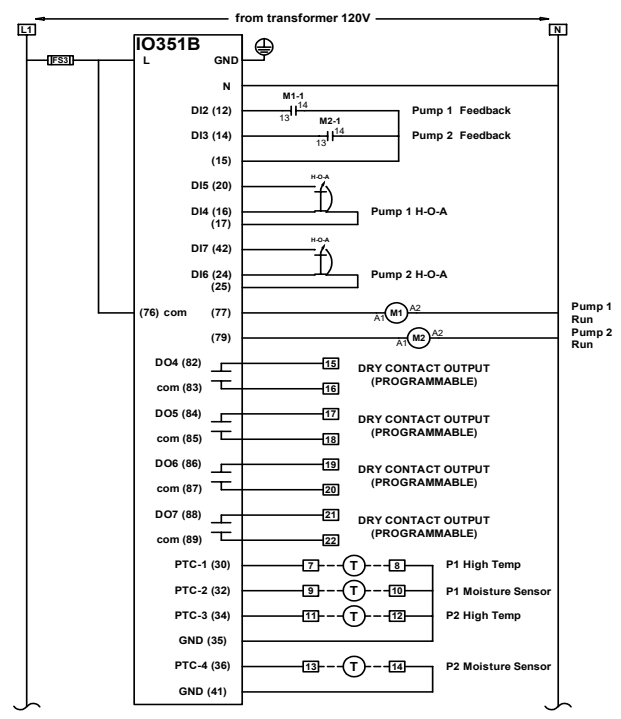


# CONTROLS DIAGRAM

# Moisture Switch



**Float**

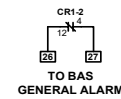
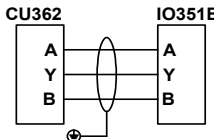
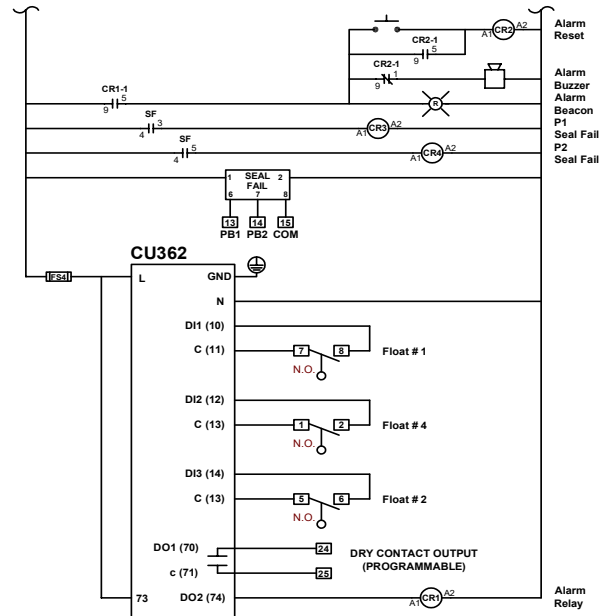
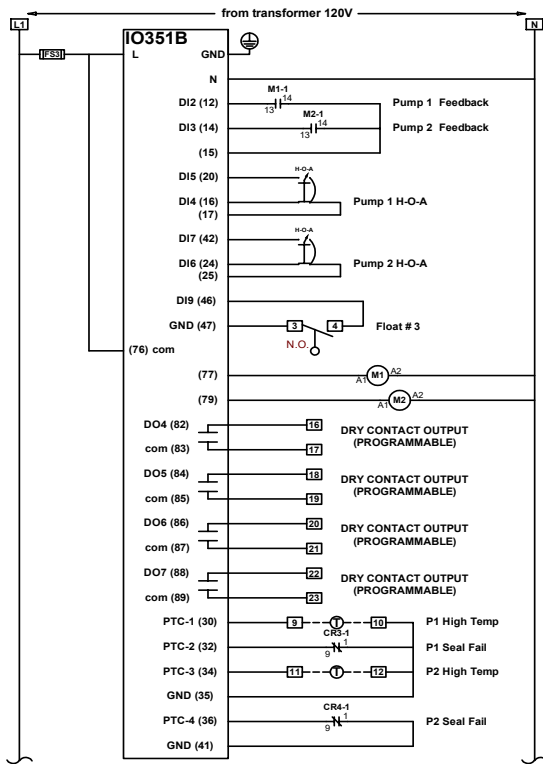


**Analog**

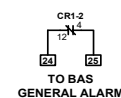
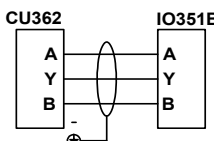
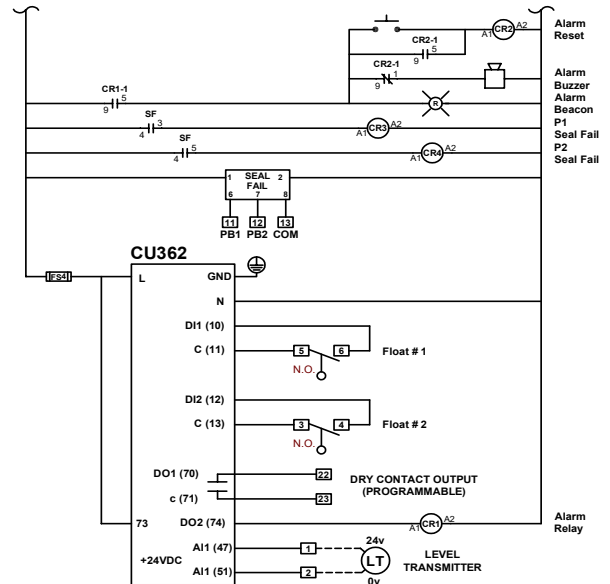
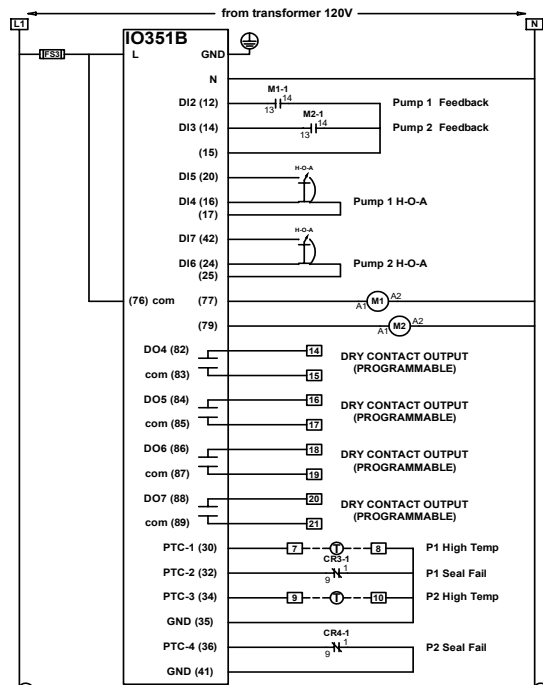


# CONTROLS DIAGRAM

# Seal Fail



# Float

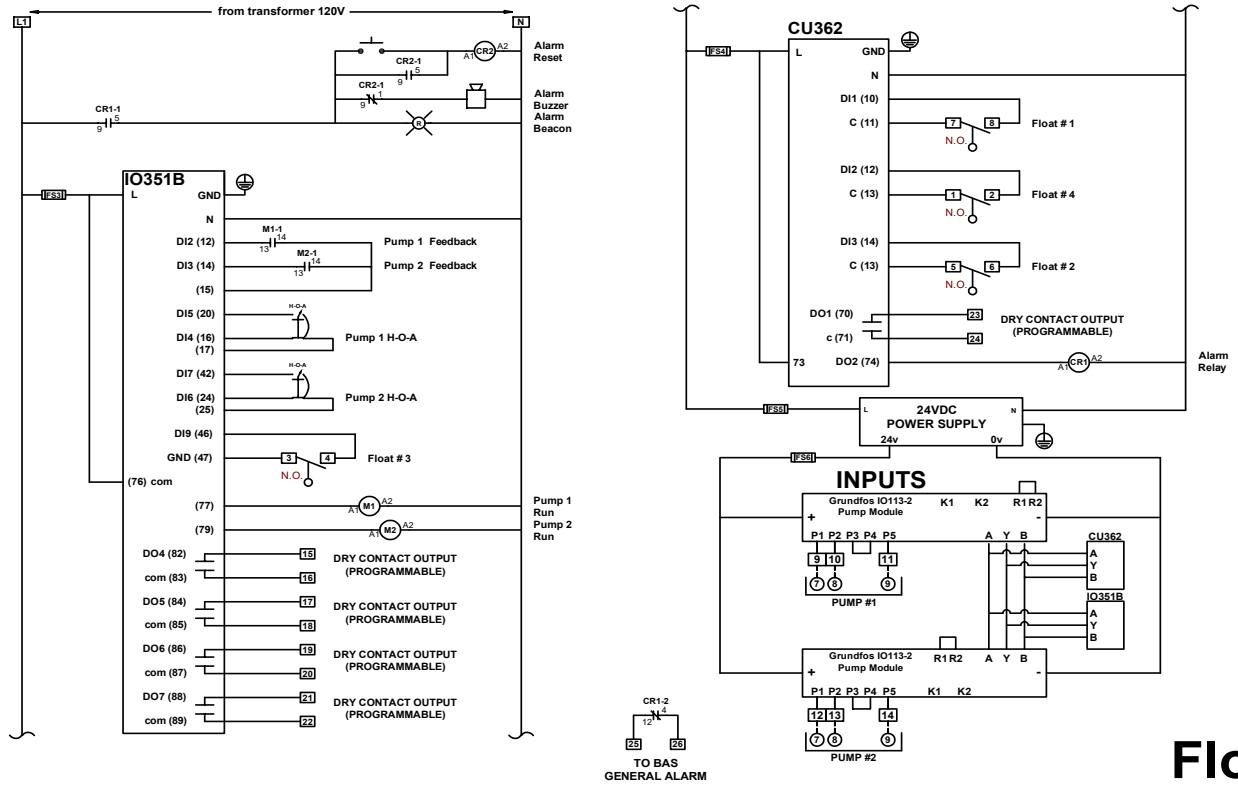


# Analog

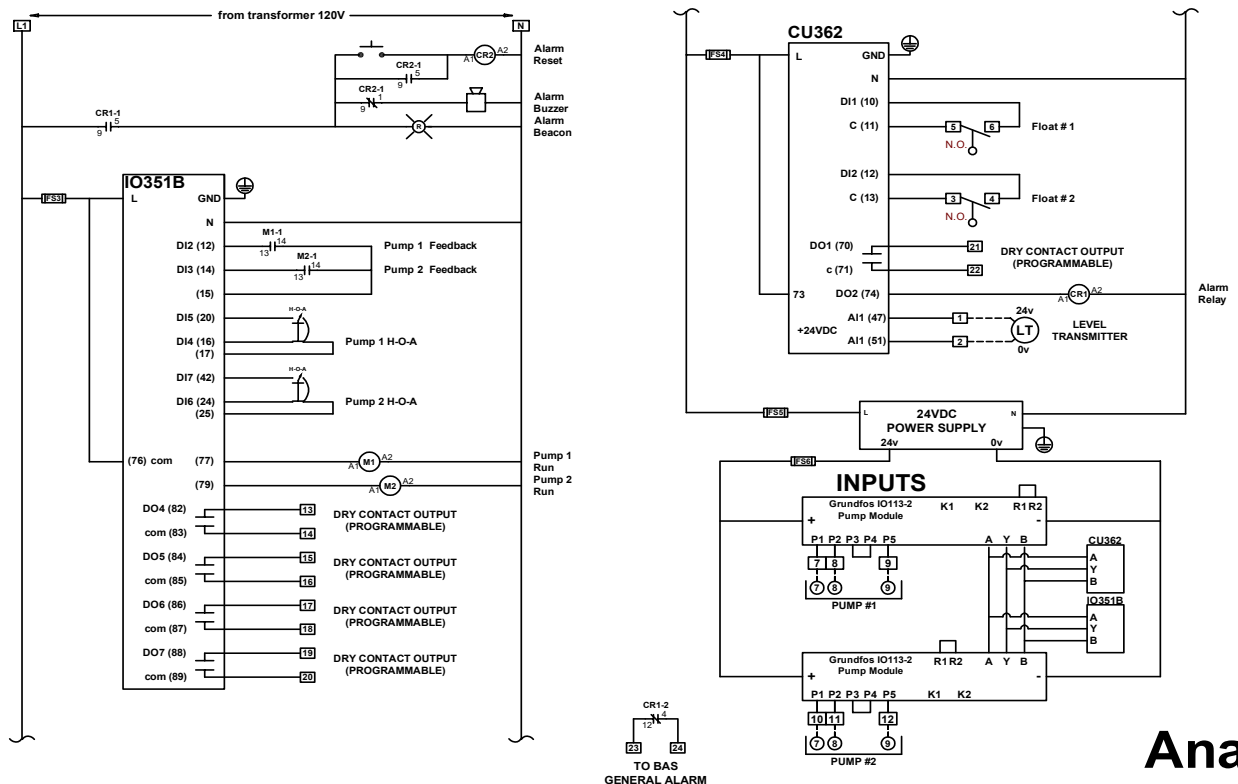


# CONTROLS DIAGRAM

# Water-In-Oil



Float



Analog<sup>®</sup>