

SUBMITTAL

APB

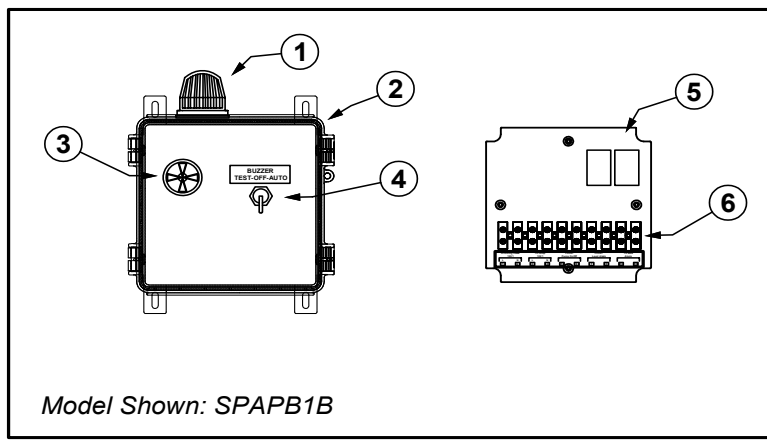


FEATURES

- Type 4X construction withstands outdoor installations and prevents corrosion
- Lockable hinged front enclosure door
- Pump Run Output
- Pump Run Float Input
- High Level Alarm Float Monitor
- 360° visible red alarm beacon
- Piezo alarm buzzer
- Dry contact remote alarm interface
- Buzzer Test-Off-Auto selector switch
- Color coded wiring
- Numbered screw type field termination block
- Field wiring diagram and installation instructions included

PANEL COMPONENTS

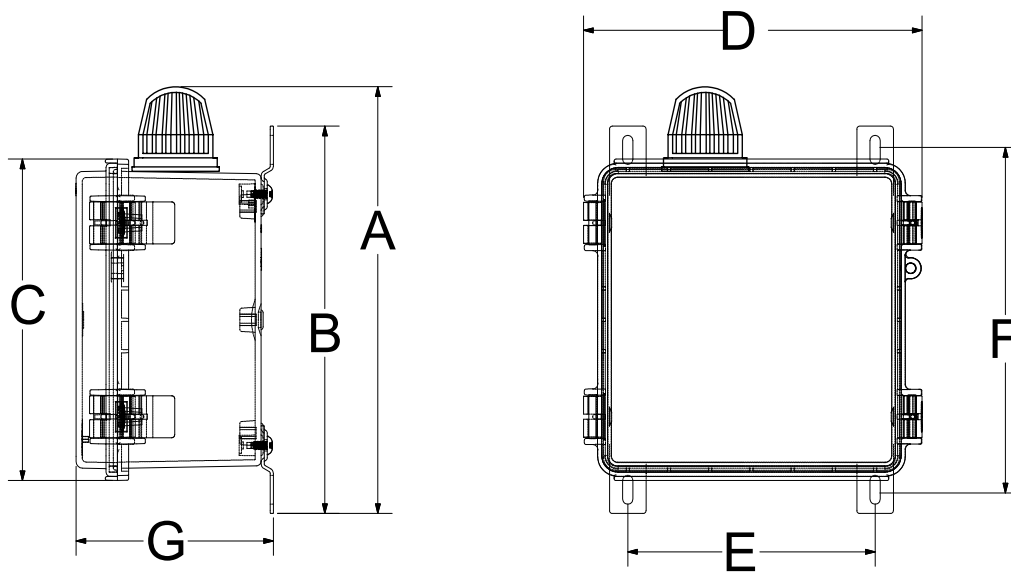
- | | |
|------------------------|--------------------------|
| 1. Alarm Beacon | 5. Control Relays |
| 2. TYPE 4X Enclosure | 6. Terminal Blocks |
| 3. Alarm Buzzer | 7. BAS Alarm Dry Contact |
| 4. Alarm Toggle Switch | |



ENCLOSURE DIMENSIONS

SINGLE PHASE SIMPLEX - 5.5 x 5.5

A	B	C	D	E	F	G
8.15	7.40	6.13	6.55	4.79	6.80	3.82



PANEL DETAILS

	Voltage
<input type="checkbox"/>	1B 120vac - 1Phase
<input type="checkbox"/>	2B 208/240vac - 1Phase

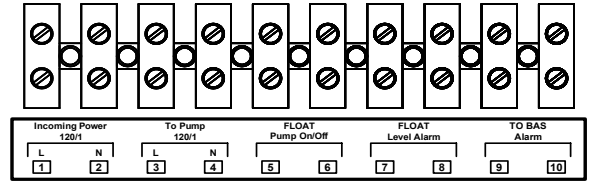
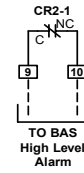
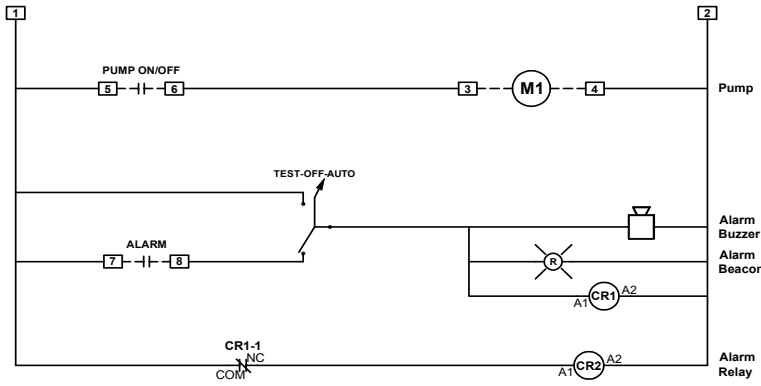


CONTROLS DIAGRAM

CAUTION - DISCONNECTING MEANS AND BRANCH CIRCUIT PROTECTION BY OTHERS

Standard Incoming Power Service of 115/120vac - 1 phase. All components are 115/120vac rated. (Figure 1).

Figure 1



CAUTION - DISCONNECTING MEANS AND BRANCH CIRCUIT PROTECTION BY OTHERS

Standard Incoming Power Service of 208/240vac - 1 phase. All components are 208/240vac rated. (Figure 2).

Figure 2

