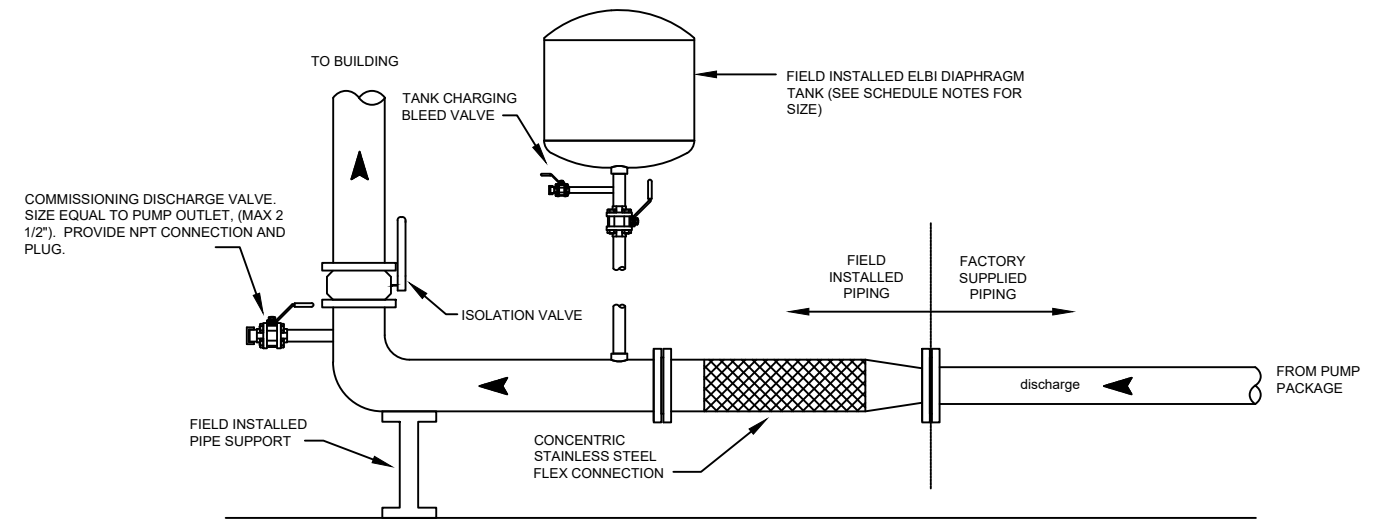
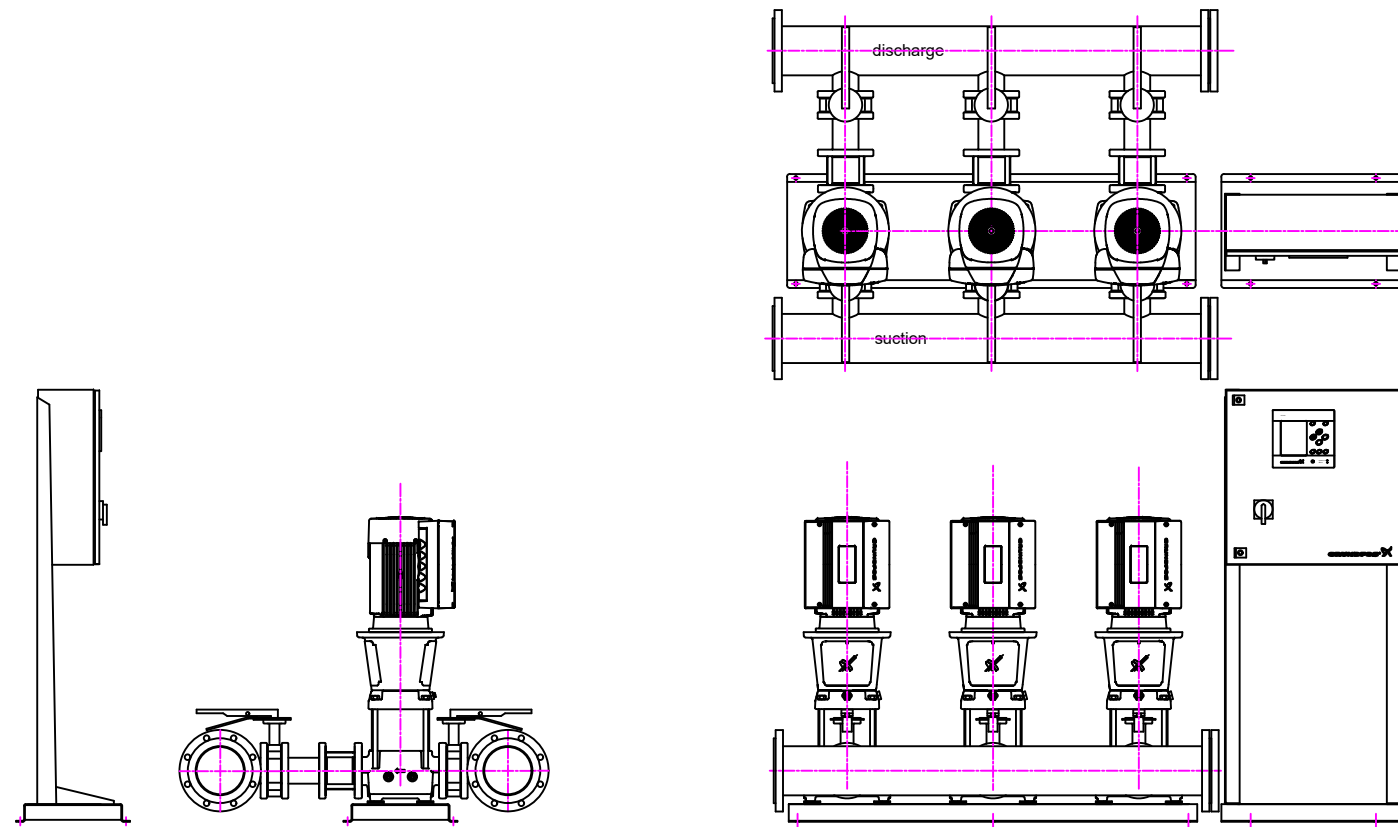
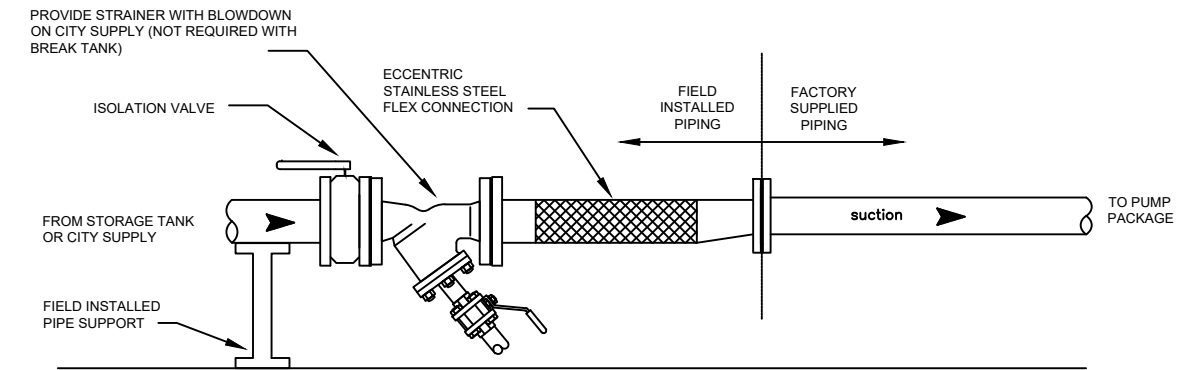


1. Base/Frame AISI 304SS
 2. Standard system layout : panel right facing suction.
 3. Full port ball valve ASTM
 4. NEMA 4 rated electrical panel
- Note: panel size will vary with options



DISCHARGE PIPING LAYOUT



SUCTION PIPING LAYOUT

PUMP SCHEDULE

ID	SERVICE	MANUFACTURER	MODEL NUMBER	TYPE	FLUID		ELECTRICAL			CONNECTIONS		NOTES
					FLOW RATE (TOTAL GPM)	TOTAL HEAD (FT)	NUMBER OF MOTOR /SIZE (-/HP)	NOMINAL RPM	VOLT/PH	SUCTION	DISCHARGE	
DWP-1,2,3		GRUNDFOS	HYDRO MPC-E	VERTICAL MULTI-STAGE	-	-	-	3500	-	-	-	1,2,3,4,5,6,7,8

1. PROVIDE AN ELBI BLADDER/ DIAPHRAGM TANK.
2. PROVIDE INTEGRAL VFD ON EACH PUMP OR IF EXTERNAL DRIVES THEY SHALL BE CONTAINED WITHIN A SINGLE ELECTRICAL ENCLOSURE (NEMA 4 ENCLOSURE FOR OUTDOOR INSTALATION), PANEL SHALL HAVE MAIN DISCONNECT AND SINGLE POINT CONNECTION.
3. PROVIDE REDUNDANT DISCHARGE PRESSURE TRANSDUCER AND CONTROL CAPABILITY TO MONITOR BOTH SENSOR AND AUTOMATICALLY SWITCH TO SECONDARY SENSOR IN THE EVENT OF A PRIMARY SENSOR FAILURE
4. PROVIDE SURGE PROTECTION, BATTERY BACKUP, SERVICE DISCONNECTS, INDIVIDUAL PUMP RUN INDICATION, AUDIBLE & VISUAL ALARM, BACNET COMMUNICATION INTERFACE.
5. HEADERS SHALL BE CONSTRUCTED OF 316 SS WITH FLANGED CONNECTIONS ON ALL ENDS, PROVIDE SUCTION & DISCHARGE ISOLATION VALVES AND DISCHARGE CHECK VALVES ON EACH PUMP.
6. CONTRACTOR TO ROUTE A PIPE OFF THE SYSTEM DISCHARGE LINE TO THE BLADDER TANK PROVIDING A BLOCK & BLEED PIPING ARRANGEMENT THAT ALLOWS THE TANK TO BE ISOLATED FROM THE SYSTEM AND DRAINED.
7. WHEN REQUIRED, SYSTEM SUPPLIER TO PROVIDE 150# FLANGED X 150# FLANGED REDUCING FLEX CONNECTORS, OF ALL STAINLESS STEEL CONSTRUCTION (RE: PLANS FOR PIPE CONNECTION SIZES).
8. FOR PACKAGES BEING FED FROM A BREAK TANK, PACKAGE TO INCLUDE DRY-RUN SENSOR PROTECTION INSTALLED IN THE SUCTION HEADER (NOTE: DRY RUN PROTECTION BY SUCTION PRESSURE SENSOR IS NOT ACCEPTABLE)



Engineering Contact:
Michael Balboni
Direct: (713) 253-2320
Email: mbalboni@cougarusa.com

THIS DRAWING AND THE INFORMATION CONTAINED HEREIN IS THE EXCLUSIVE PROPERTY OF COUGAR SALES, INC. AND SHALL NOT BE REPRODUCED WITHOUT WRITTEN PERMISSION. THIS DATA IS BEING PROVIDED FOR USE ON SUBJECT PROJECT AND SHALL BE RETURNED IMMEDIATELY UPON REQUEST.

GRUNDFOS TRIPLEX BOOSTERPAQ
SCHEDULE AND DETAIL

ISSUE FOR INFORMATION

Sheet No.
P-1