

SUBMITTAL

Condensate Return Unit

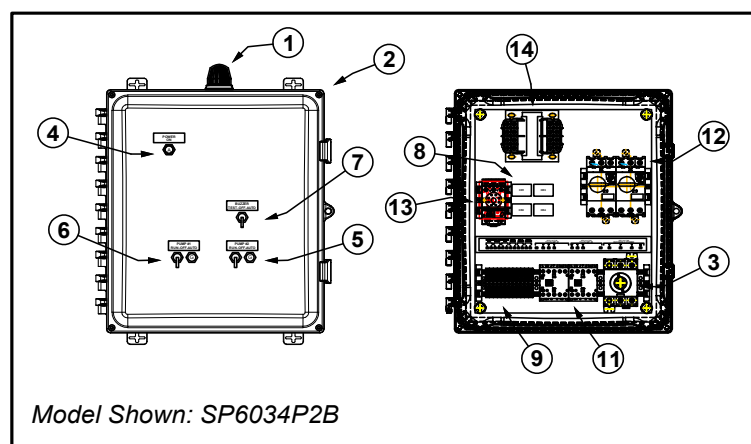


FEATURES

- 304 Stainless Steel Constructed Receiver
- Grundfos MTR Series Multi-Stage Pump(s) with Stainless Steel Impellers and Stack
- UL508a Listed Control Panel
- Stainless Steel Multi-Float Switch Assembly
- Gauge Glass Assembly
- Bi-Metal Thermometer
- Pump Opening Cover (for servicing unit)

PANEL COMPONENTS

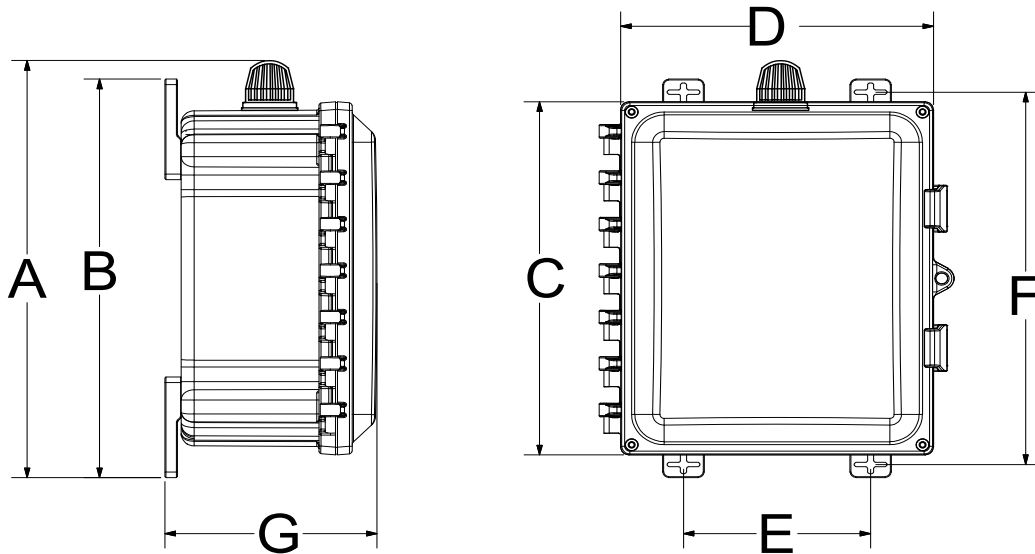
- | | |
|--------------------------|--|
| 1. Alarm Beacon | 8. Control Relay |
| 2. TYPE 4X Enclosure | 9. Terminal Strip |
| 3. Main Disconnect | 10. Alarm Horn |
| 4. Power ON Indicator | 11. Pump Contactor |
| 5. Pump Run Indicator | 12. Motor Overload Protection (3PH Only) |
| 6. Pump Selector switch | 13. Alternator (Duplex only) |
| 7. Alarm Selector switch | 14. Control Transformer (3PH Only) |



ENCLOSURE DIMENSIONS

STADARD - 16X14X08

A	B	C	D	E	F	G
19.47	18.88	17.41	15.41	11.63	18.03	9.89



PANEL DETAILS

Options	
	Panel Dead Front
	BACnet MS/TP Interface
	UL 508 and 698A Listed Panel

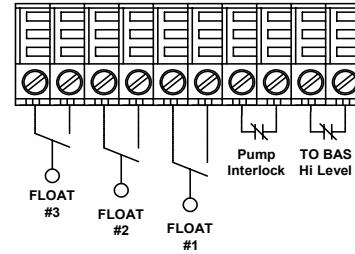
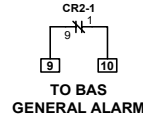
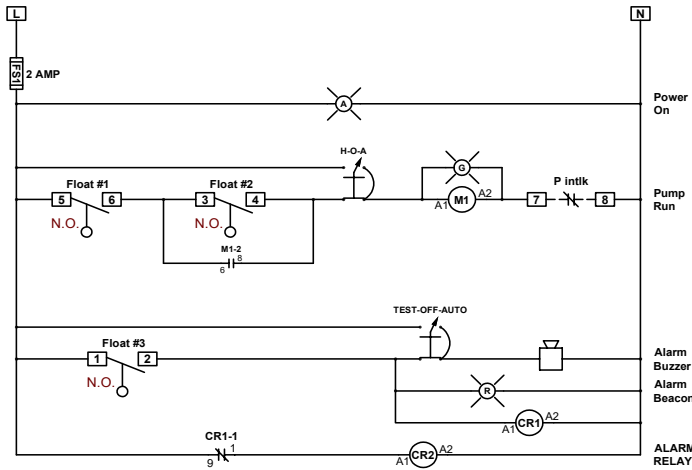
Voltage	
11	120 1 Phase
12	208-240 1 Phase
32	208-230 3 Phase
34	460-480 3 Phase

Single Phase	
B	0-15 Amp
Three Phase	
BW-1.6	1 – 1.6 Amp
BW-2.5	1.6 – 2.5 Amp
BW-4	2.5 – 4 Amp
BW-6.3	4 – 6.3 Amp
BW-10	6.3 - 10 Amp
BW-16	11 - 16 Amp
BW-20	16 - 20 Amp
BW-25	20 - 25 Amp
BS-5	1.25 - 5 Amp
BS-12	3 - 12 Amp
BS-32	8 - 32 Amp

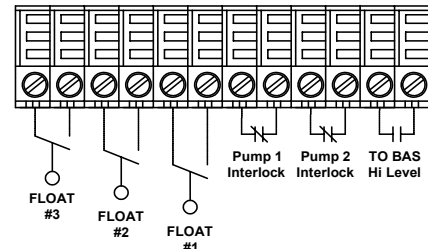
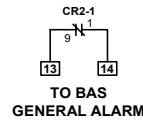
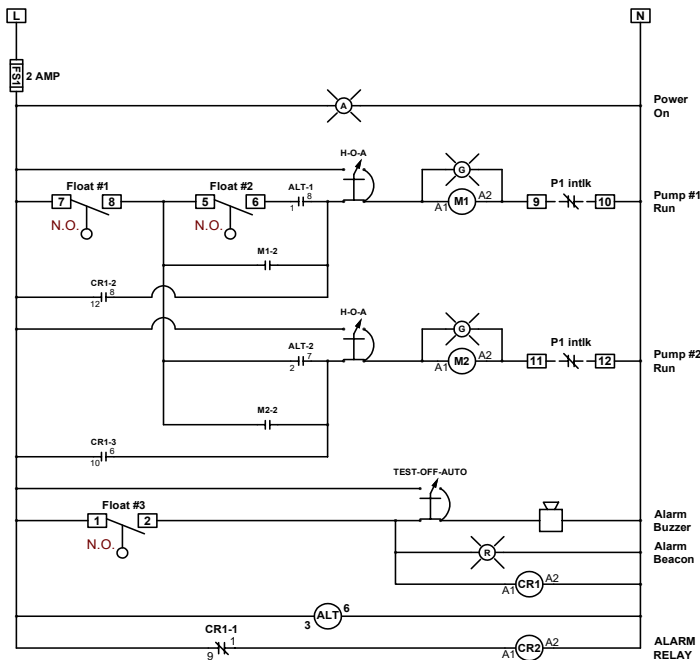


CONTROLS DIAGRAM

SIMPLEX



DUPLEX



MOTOR CONTROLS

1. Standard Motor Controls Incoming Power Service of 115/120vac - 1 phase. Simplex and Duplex setup (Figure 1). Adder Options Available.

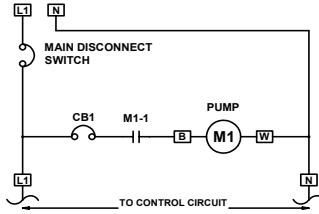
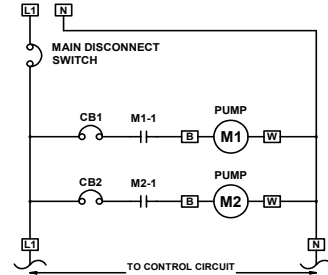


Figure 1



1. Standard Motor Controls Incoming Power Service of 200/240vac - 1 phase. Simplex and Duplex setup (Figure 1). Adder Options Available.

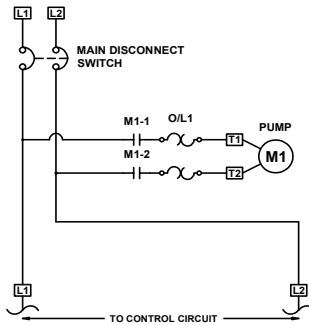
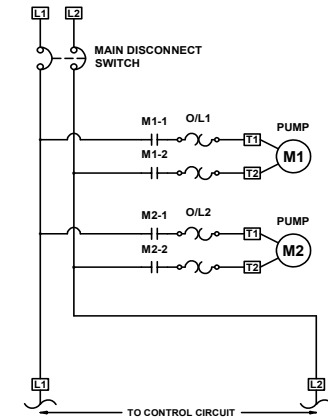


Figure 2



1. Standard Motor Controls Incoming Power Service of 200/240/480vac - 3 phase. Simplex and Duplex setup (Figure 1). Adder Options Available.

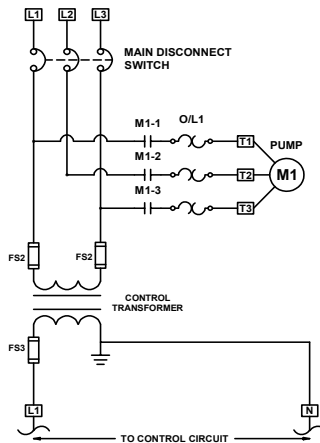
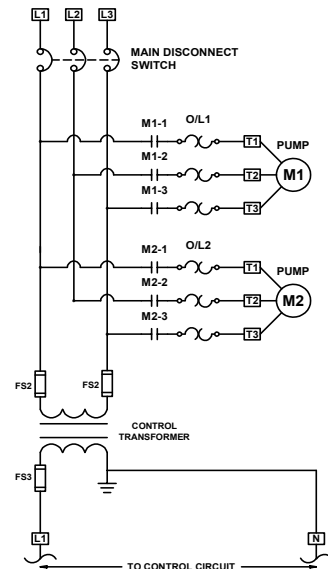


Figure 3



FLOAT DETAIL

Multi-Float Switch Assembly. Construction is stainless steel. Standard 3-Float assembly. Sizing options upon request.

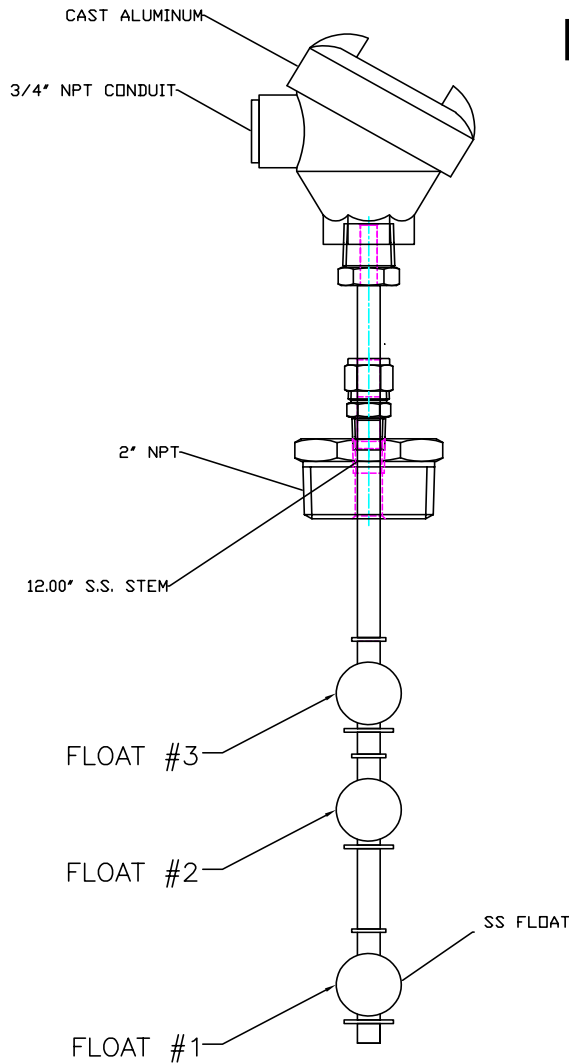


Figure 2.1