

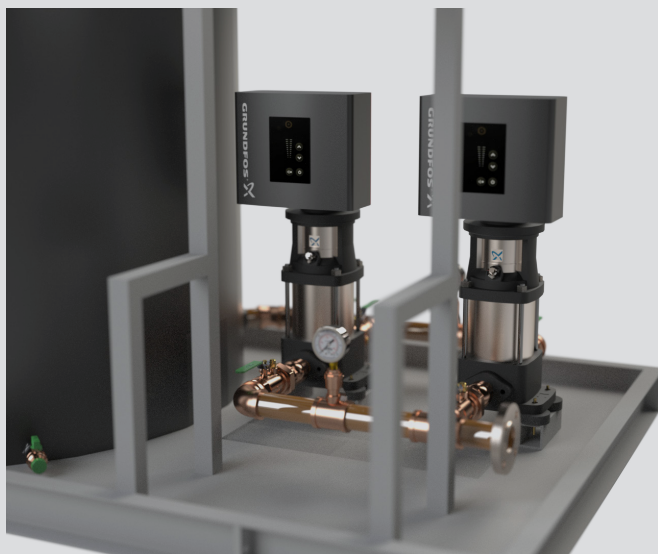
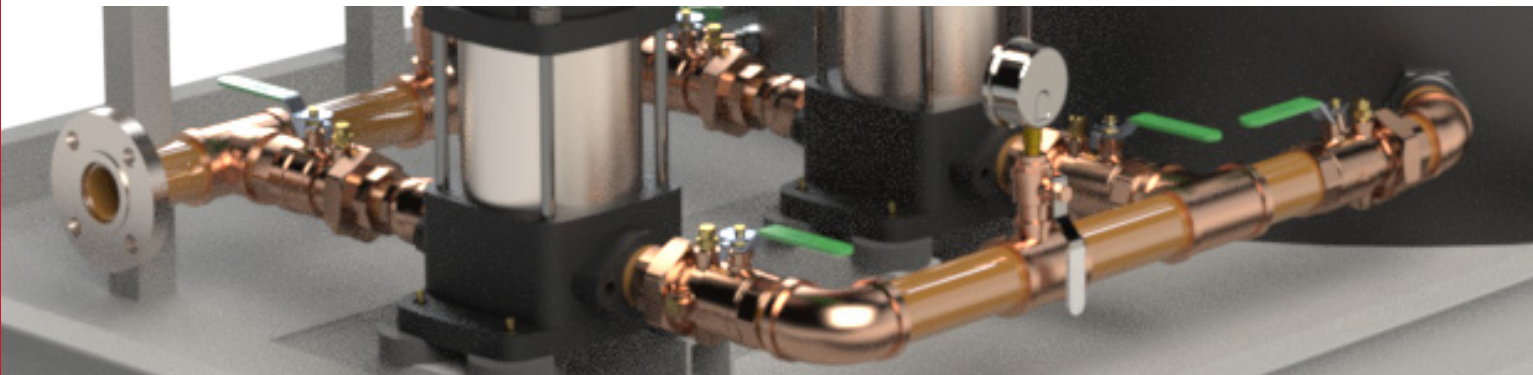


## FEATURES

- Collection and transfer of water
- Self-contained / standalone system
- Control panel with single point power connection
- Plastic tank with all necessary fittings
- Minimal field installation
- Grundfos CR Series Vertical Multi-Stage Pumps
- Copper / brass pump headers
- Pre-engineered systems with easy selections  
*(see chart on next page)*

### Applications

Chilled Water Condensate Recovery, Rainwater Collection, Cooling Tower Make-up, Irrigation, Gray Water Systems



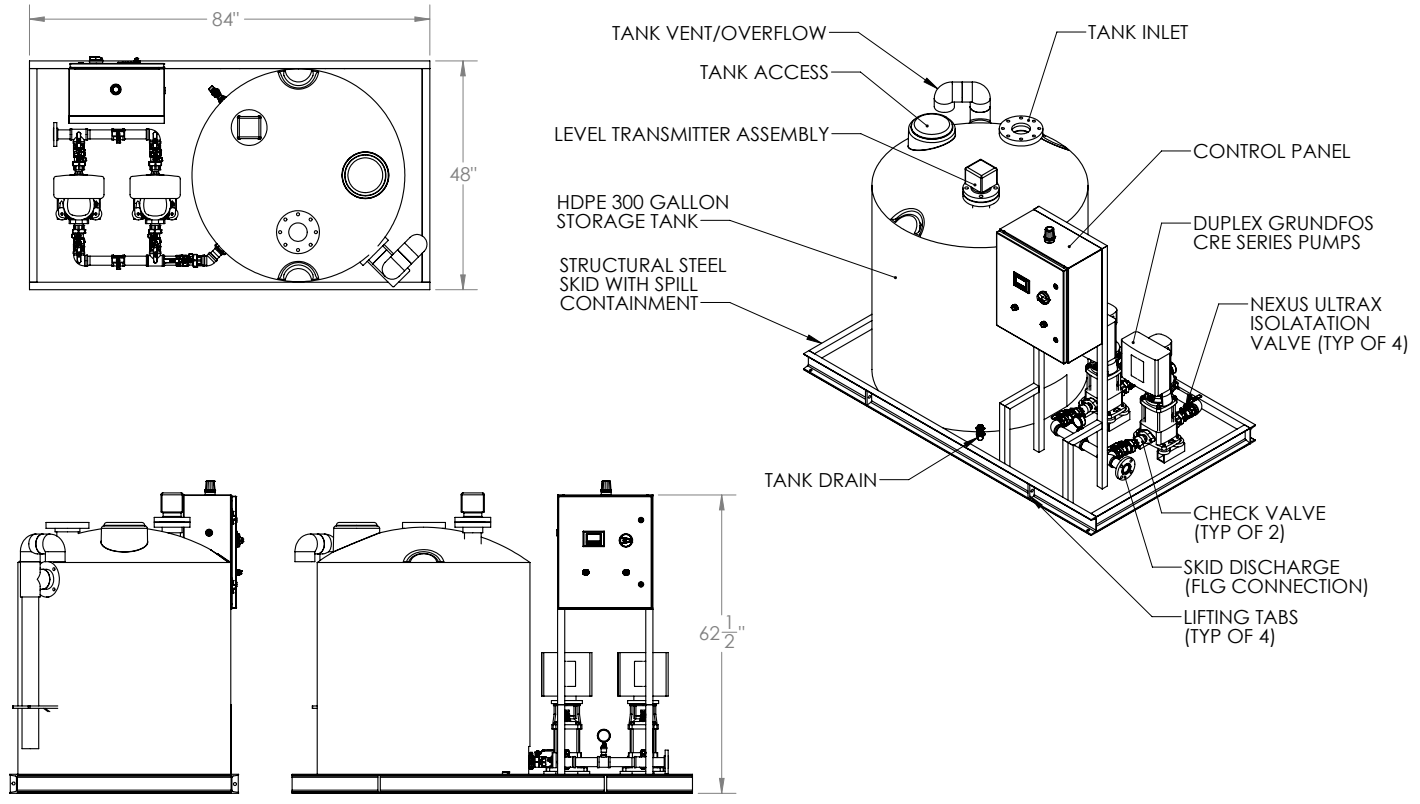
## COMPONENTS

- Control panel with PLC and touchscreen HMI
- Level controls with submersible pressure transducer for easy level adjustments
- Grundfos CRE pumps with integral VFD's for pump balancing
- 300 gallon storage tank
- 1.5" suction and discharge headers with isolation and check valves
- Optional adders – UV light or filter with circulating pump, water make up valve, flow meter, custom pump selections

# SERIES MODELS

Name	HP	Voltage/Phase	Flow (GPM)	Head (PSI)	Tank Vol (Gals)	Dims (Inches)	Inlet/ Overflow/Drain (Inches)	Discharge (Inches)
EWRS-60	1	208-230/3 460/3	15	60	300	84x18x65	4 / 3 / .75	1.5
EWRS-90	1.5			90				
EWRS-120	2			120				

# SKID ASSEMBLY



Specifications subject to change. Consult website or contact Cougar Systems.

**832.912.7500**  
**COUGARUSA.COM**