

# SUBMITTAL

## Elite Tank Level



# ELITE



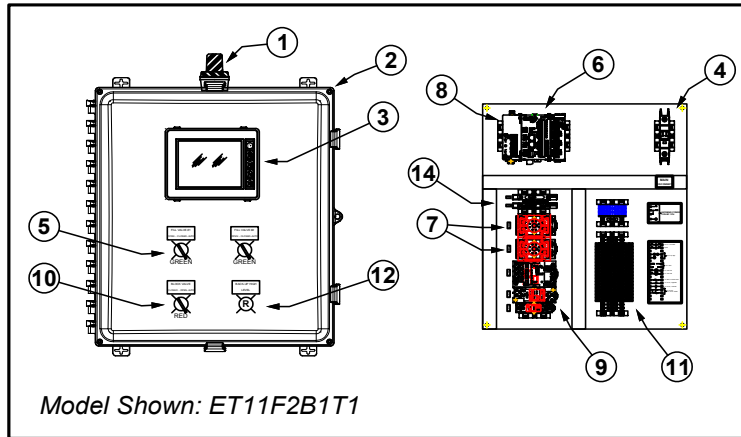
## FEATURES

- Type 4X Construction withstands outdoor installations and prevents corrosion
- Lockable hinged front enclosure door
- Conductivity Critical High Level Relay
  - Redundant relay operation protects against PLC or sensor failure system upset.
- Critical High Level alarm Red indicator
- Single Pole Main Disconnect
- Programmable Logic Controller
- Touchscreen HMI Functions
  - Lead Fill Valve Selection
  - Alarm Silence Button
  - “High Level Alarm” Indication
  - “Low Level Alarm” Indication
  - Continues Level Readout, in inches.
  - Level Settings includes:
    - o Level sensor span
    - o Level Read-out offset
    - o Level Display refresh rate
    - o Alarm reset differential
    - o Alarm on-delay timer, seconds (range 0-9999)
      - o High level alarm set point
      - o Low level alarm set point
      - o Fill Valve(s) close
      - o Fill Valve Lead open
      - o Fill Valve Lag open
- Fill Valve 3-position selector switch, Open-Close-Auto with green run indicator
  - 120vac power on
  - Solenoid operation
- Block Valve 3-position selector switch, Close-Open-Auto with red indicator
  - 120vac power to close
  - 120vac power open
  - L1 and Neutral for enclosure Heater
  - Motor Operated Valve
- BAS Dry contact for High Level Alarm
- BAS Dry contact for Low Level Alarm
- Form “C” Dry contact for low level Pump Cut-Off (Domestic only)
- 24 VDC power supply
- 360° visible red alarm beacon
- 95db Piezo alarm buzzer
- Internal wiring numbered to corresponding wiring diagram
- Numbered screw type field termination block
- Field wiring diagram and installation instructions included



# PANEL COMPONENTS

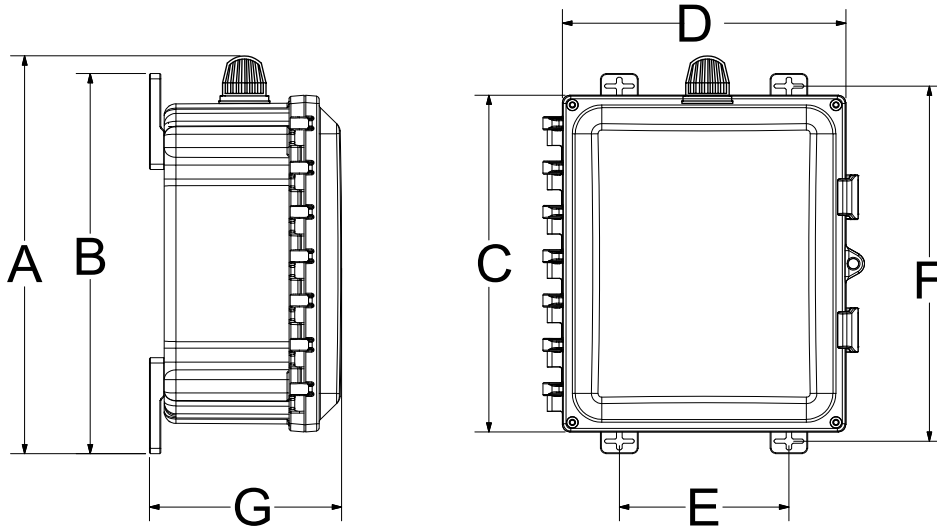
- |                                  |                                  |
|----------------------------------|----------------------------------|
| 1. Alarm Beacon                  | 8. 24vdc Power Supply            |
| 2. TYPE 4X Enclosure             | 9. Control Relay                 |
| 3. Touchscreen Display           | 10. Block Valve HOA indicator    |
| 4. Main Disconnect               | 11. Terminal Strip               |
| 5. Fill Valve HOA indicator      | 12. Back-up High Level indicator |
| 6. Programmable Logic Controller | 13. Alarm Horn                   |
| 7. Conductivity Relay            | 14. Control Fuse indicator       |



# ENCLOSURE DIMENSIONS

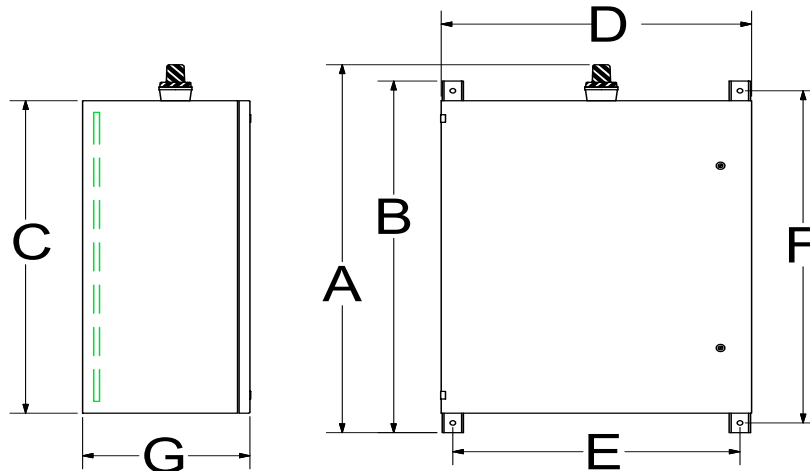
## DOMESTIC/FIRE - 18x16x10

A	B	C	D	E	F	G
21.45	20.88	19.41	17.41	13.63	20.03	11.86



## COMBINATION DOMESTIS & FIRE - 24x20x10

A	B	C	D	E	F	G
28.25	27	24	20	18.5	25.5	10.79



## Panel Details

Options	
	Dead-Front Construction
	BACnet MS/TP interface
	UL508A & UL698A listed
	City Supply Input

Voltage	
11	120 1 Phase
12	208-240 vac 1Phase
32	208-240 vac 3Phase
34	480 vac 3Phase

Selection	
11	Domestic Tank Level
12	Fire Tank Level
13	Domestic & Fire Tank Level

Tank Compartment	
T1	Single Tank Compartment
T2	Dual Tank Compartment

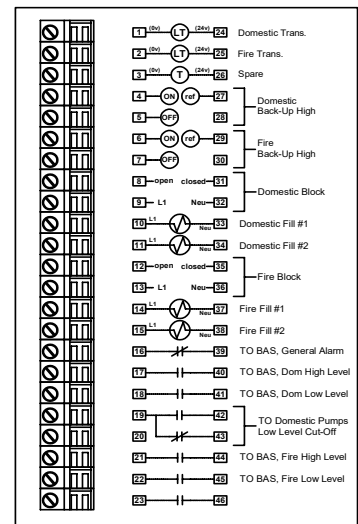
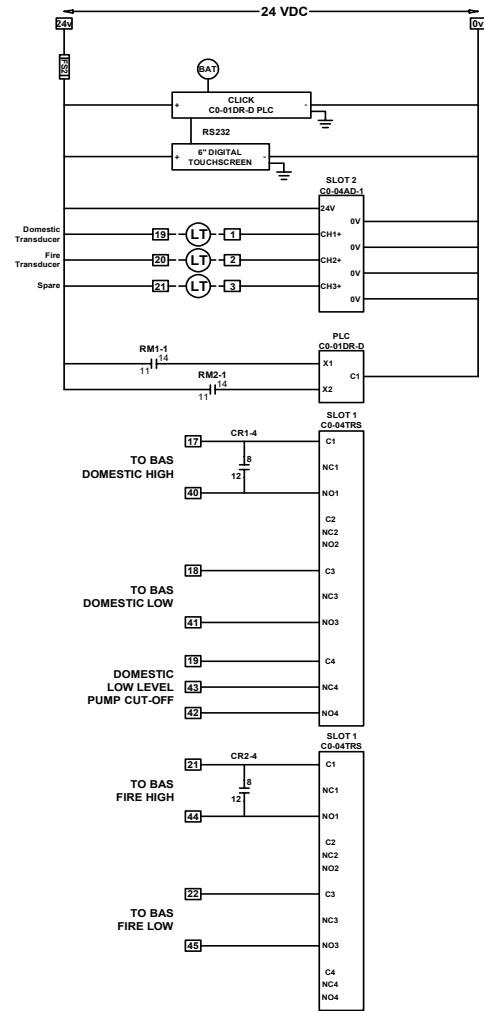
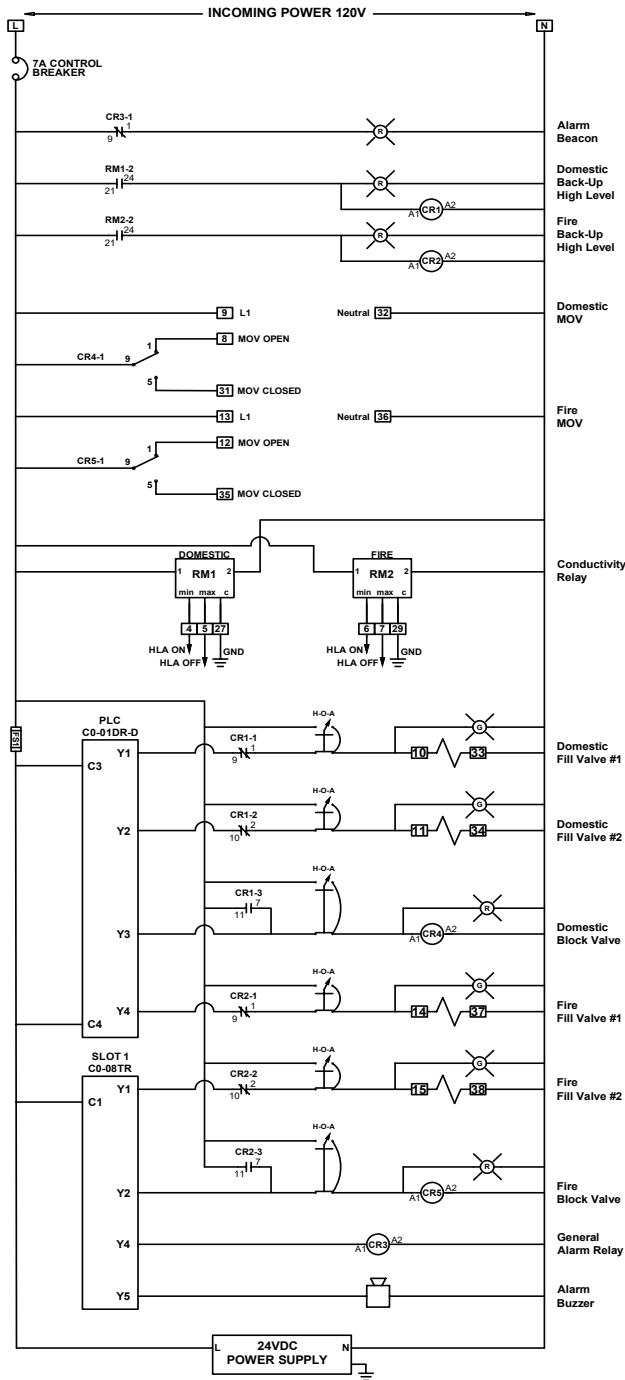
Fill Valve	
F0	No Valve
F1	One Valve
F2	Two Valves
F3	Three Valves
F4	Four Valves

Block Valve	
B0	No Valve
B1	One Valve
B2	Two Valves
B3	Three Valves
B4	Four Valves

# CONTROLS DIAGRAM

# Domestic & Fire

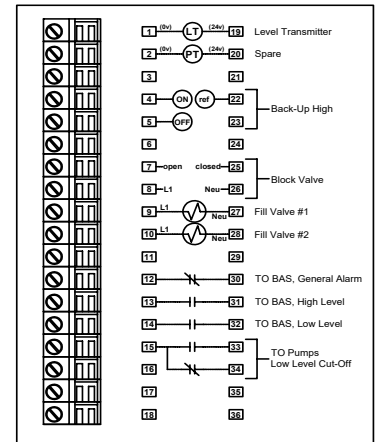
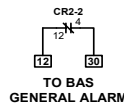
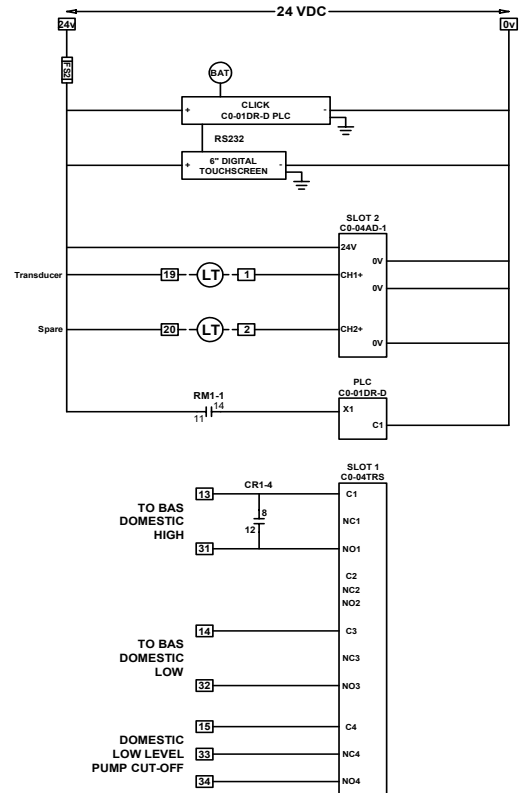
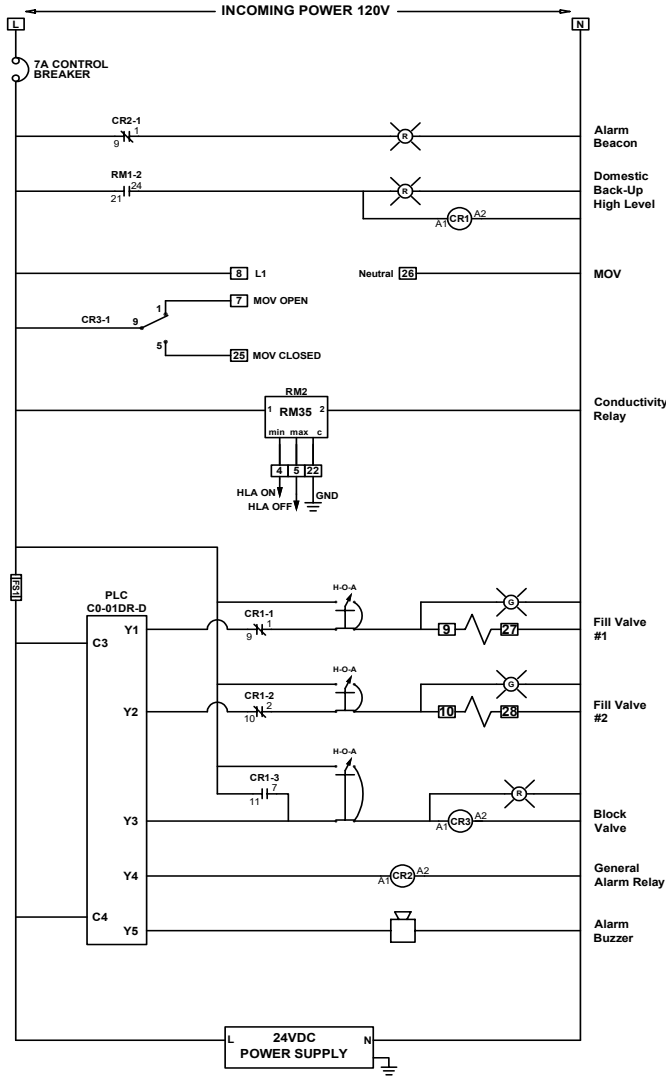
- Standard Elite PLC Combination Domestic & Fire Tank Level control panel. Configurable Fill Valve options are available. Configurable Block Valve options are available. 120vac, 1 phase Incoming Power supply. Analog sensor level transmitter input.
- Example Wiring diagram below is: ET13F4B2T1 (2 Fill Valve, 1 Block Valve per compartment.)



# CONTROLS DIAGRAM

# Domestic

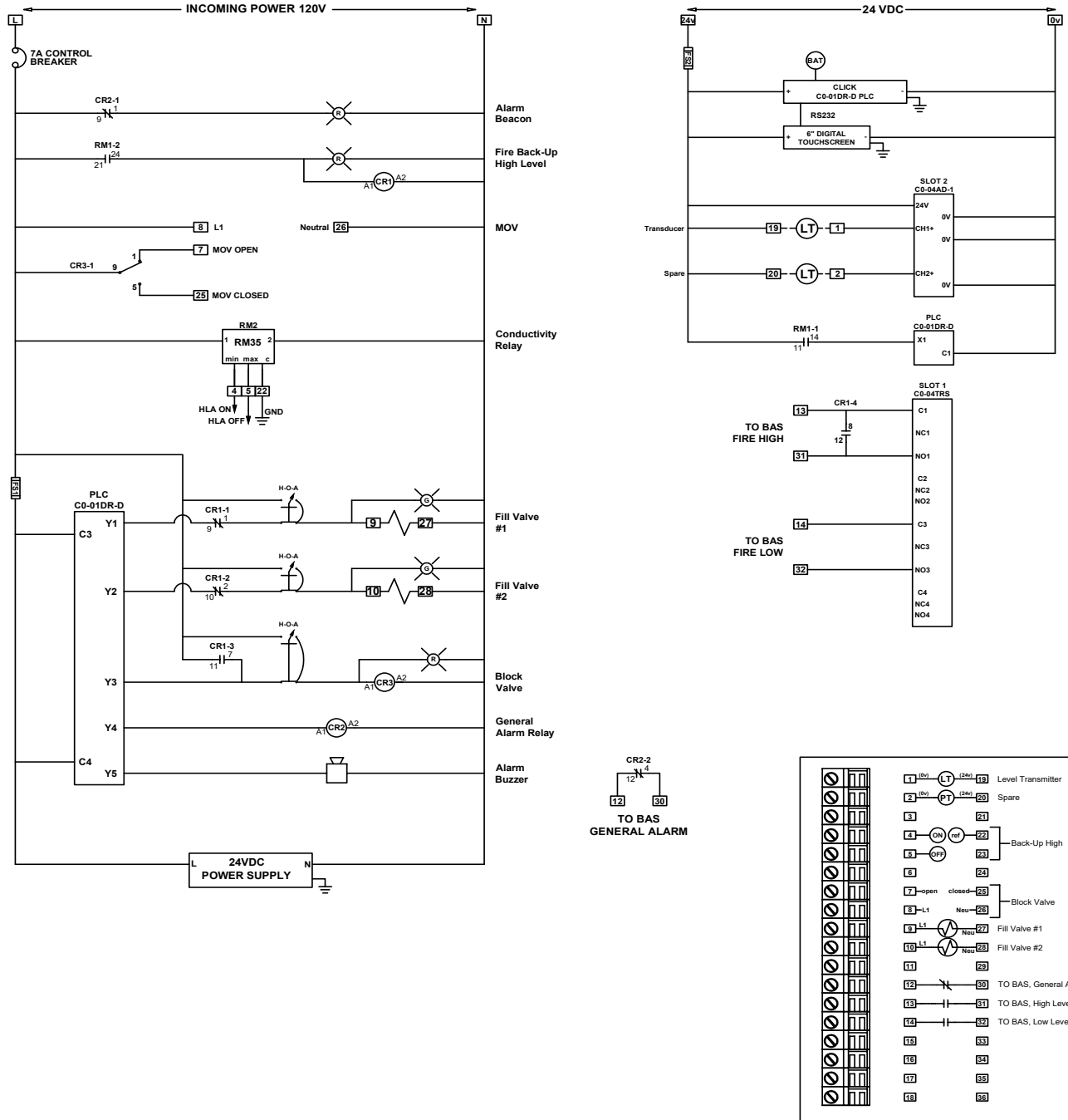
- Standard Elite PLC Domestic Tank Level control panel. Configurable Fill Valve options are available. Configurable Block Valve options are available. 120vac, 1 phase Incoming Power supply. Analog sensor level transmitter input.
- Example Wiring diagram below is: ET11F4B2T1 (2 Fill Valve, 1 Block Valve per compartment.)



# CONTROLS DIAGRAM

# Fire

- Standard Elite PLC Fire Tank Level control panel. Configurable Fill Valve options are available. Configurable Block Valve options are available. 120vac, 1 phase Incoming Power supply. Analog sensor level transmitter input.
- Example Wiring diagram below is: ET12F4B2T1 (2 Fill Valve, 1 Block Valve per compartment.)







# SENSOR DETAIL

- Standard Level Sensor Assembly consists of a Type 4X Polycarbonate Junction Box, standard 3" Sch. 80 150# PVC flange, Submersible pressure stainless steel transmitter, and stainless steel wire suspended electrodes. Figure 2.1 shows assembly design in detail.

