

# SUBMITTAL

## Oil Logic

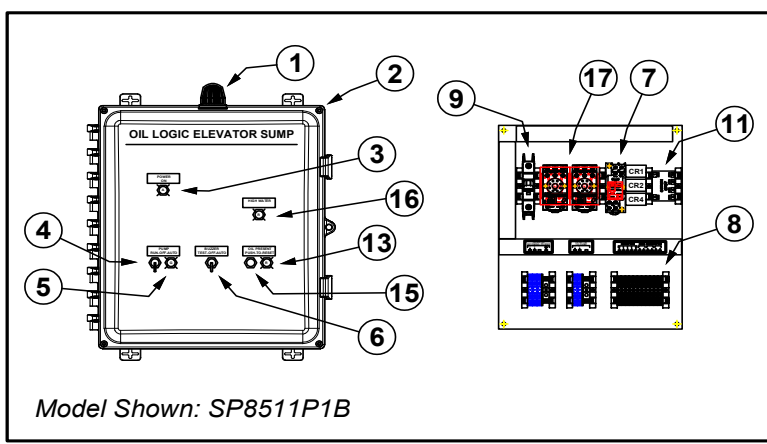


# FEATURES

- Type 4X construction withstands outdoor installations and prevents corrosion
- Lockable hinged front enclosure door
- Main disconnect with direct mount operator
- Combination Circuit Breaker/Overload motor starter (3 Phase Units)
- Motor Circuit Breaker (1 Phase Units)
- Motor Contactor
- Amber Power on Light
- Pump Hand-On-Auto selector switch with green pump run lights
- High Water Alarm Light
- Oil Present Alarm Light
- Oil Present Reset Button
- Buzzer Test-Off-Auto selector switch
- Cougar Oil In Water Sensor/High Water Sensor
- Control voltage stepdown transformer (3 Phase Units)
- 360° visible red alarm beacon
- Piezo alarm buzzer
- Dry contact remote alarm interface
- Color coded wiring
- Numbered screw type field termination block
- Field wiring diagram and installation instructions included

# PANEL COMPONENTS

- |                          |                                                                |
|--------------------------|----------------------------------------------------------------|
| 1. Alarm Beacon          | 10. Alarm Horn                                                 |
| 2. TYPE 4X Enclosure     | 11. Pump Contactor                                             |
| 3. Power On Indicator    | 12. Motor Starter Combo Circuit Breaker/Overload (3Phase Only) |
| 4. Pump Run Indicator    | 13. Oil Present Alarm indicator                                |
| 5. Pump Selector switch  | 14. Control Transformer (3Phase Only)                          |
| 6. Alarm Selector switch | 15. Oil Present Reset button                                   |
| 7. Control Relay         | 16. High Water alarm indicator                                 |
| 8. Terminal Strip        | 17. Conductivity Relays                                        |
| 9. Main Disconnect       |                                                                |





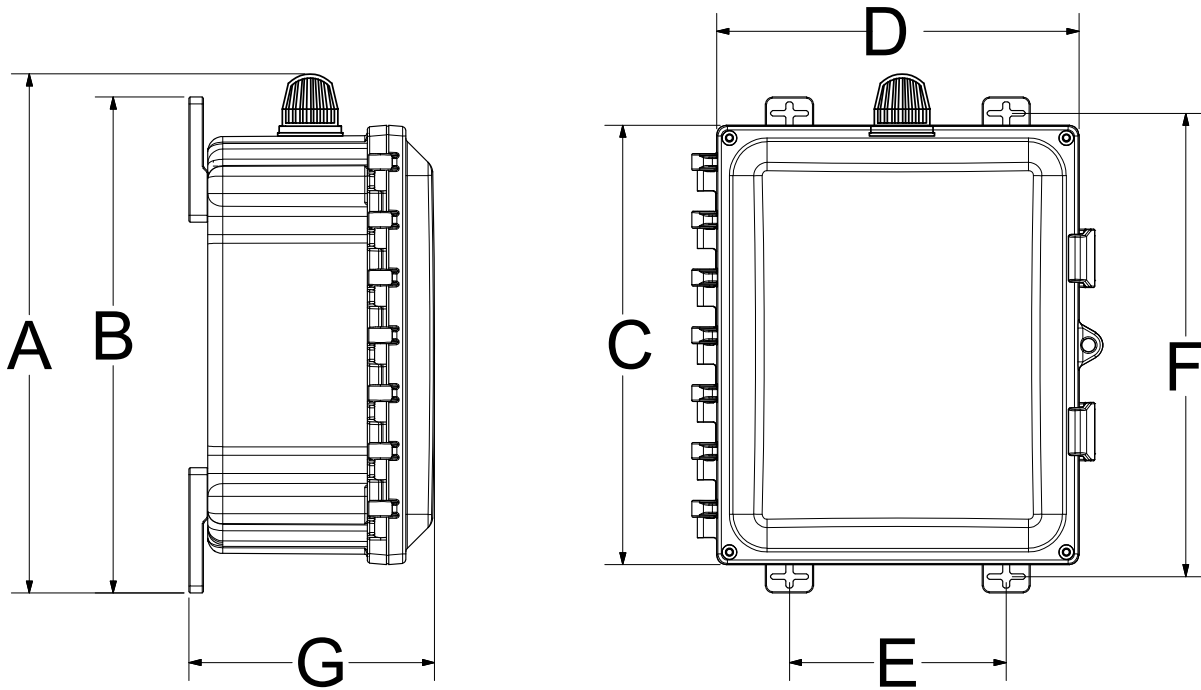
# ENCLOSURE DIMENSIONS

## SINGLE PHASE SIMPLEX - 16x14x08

A	B	C	D	E	F	G
19.47	18.88	17.41	15.41	11.63	18.03	9.86

## THREE PHASE SIMPLEX - 18x16x10

A	B	C	D	E	F	G
21.45	20.88	19.41	17.41	13.63	20.03	11.86



# PANEL DETAILS

	<b>Options</b>
	Dead-Front Construction
	BACnet communication
	UL508A & UL698A listed

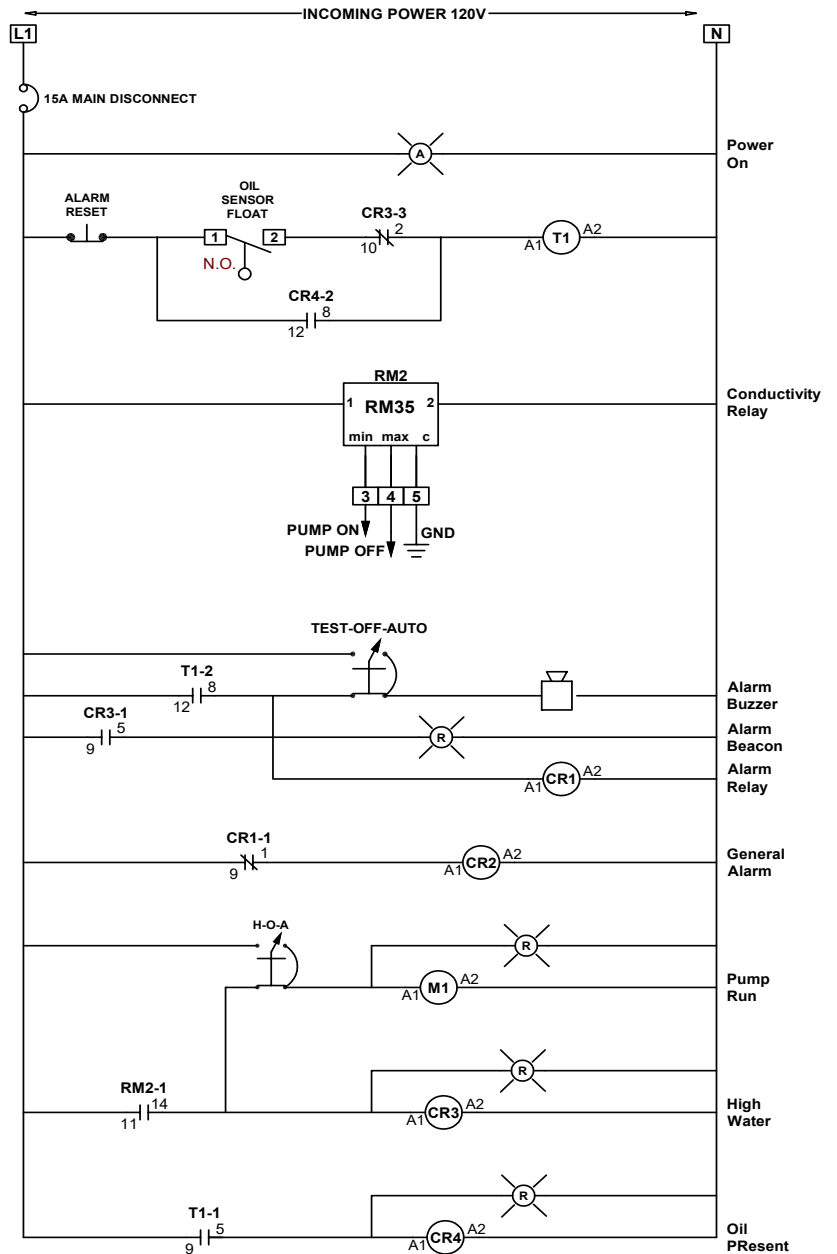
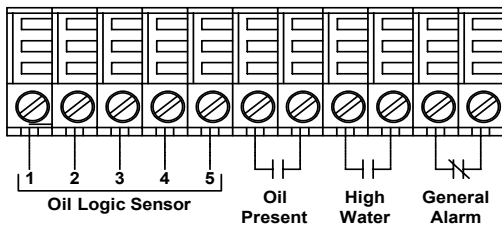
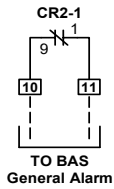
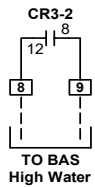
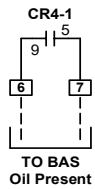
	<b>Voltage</b>
11	120 1 Phase
12	208-240 1 Phase
32	208-230 3 Phase
34	460-480 3 Phase

	<b>Single Phase</b>
	B 0-15 Amp
<b>Three Phase</b>	
	BW-1.6 1 – 1.6 Amp
	BW-2.5 1.6 – 2.5 Amp
	BW-4 2.5 – 4 Amp
	BW-6.3 4 – 6.3 Amp
	BW-10 6.3 - 10 Amp
	BW-16 11 - 16 Amp
	BW-20 16 - 20 Amp
	BW-25 20 - 25 Amp
	BS-5 1.25 - 5 Amp
	BS-12 3 - 12 Amp
	BS-32 8 - 32 Amp



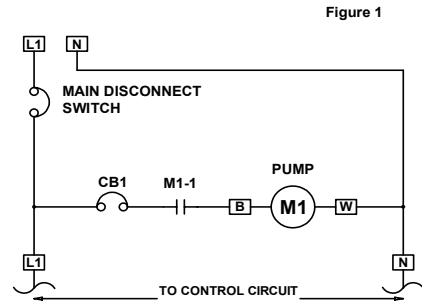
# CONTROLS DIAGRAM

1. Standard Simplex Oil Logic system. See *sensor details* in page 7 of Submittal. See *Sequence of Operation* in IOM. Adder options available.

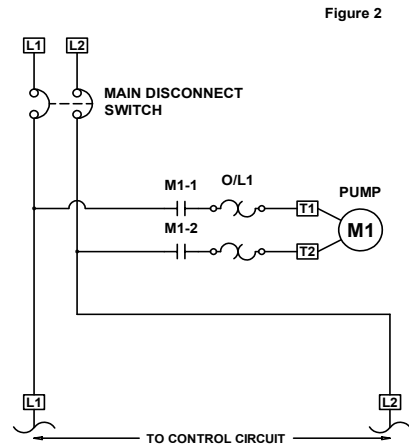


# MOTOR CONTROLS

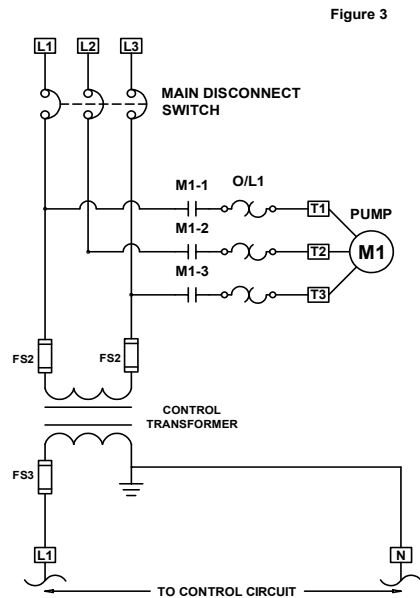
1. Standard Motor Controls Incoming Power Service of 115/120vac - 1 phase. Simplex setup (Figure 1). Adder Options Available.



1. Standard Motor Controls Incoming Power Service of 200/240vac - 1 phase. Simplex setup (Figure 1). Adder Options Available.



1. Standard Motor Controls Incoming Power Service of 200/240/480vac - 3 phase. Simplex setup (Figure 1). Adder Options Available.



# SENSOR DETAIL

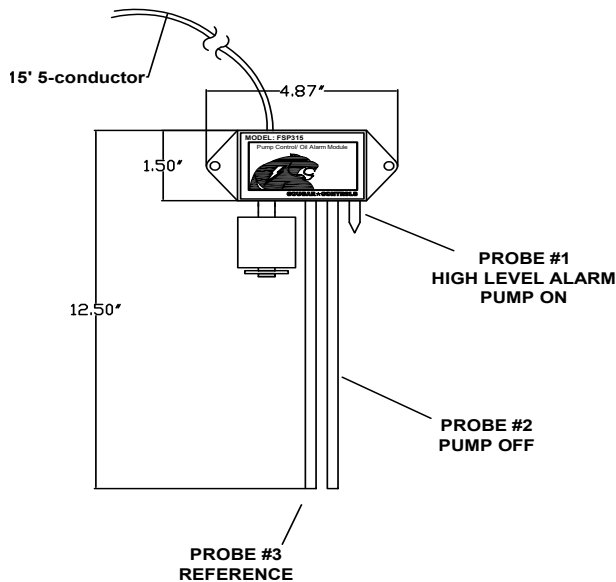
Oil Logic Sensor Assembly configuration.  
15ft. Cable length comes standard.  
Longer length options are available.  
Assembly in detail see *Figure 2.1* & see *Figure 2.2*.

# Options

- 30ft Cable Length
- 50ft Cable Length
- 75ft Cable Length
- 100ft Cable length

**Model:** FSP315  
**Float:** Buna N  
**Stem:** Brass  
**Conductivity Probe:** Stainless Steel  
**Cable:** 15' 5-conductor, oil resistant

**Figure 2.1**



**Figure 2.2**

