

SUBMITTAL

VFD Protection

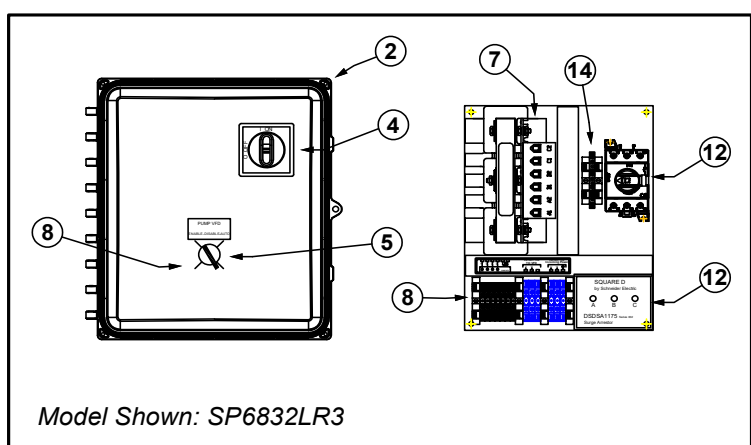


FEATURES

- Type 4X construction withstands outdoor installations and prevents corrosion
- Lockable hinged front enclosure door
- Drive input line reactor, 3% impedance
- Thru-the Door Lockable Main Disconnect
- Three position switch VFD “Enable – Disable – Auto”
- 12VAC VFD Enable Relay
- SQD SDSA3650 Surge Protection
- Pump disable circuit
- Numbered screw type field termination block
- Field wiring diagram and installation instructions included

PANEL COMPONENTS

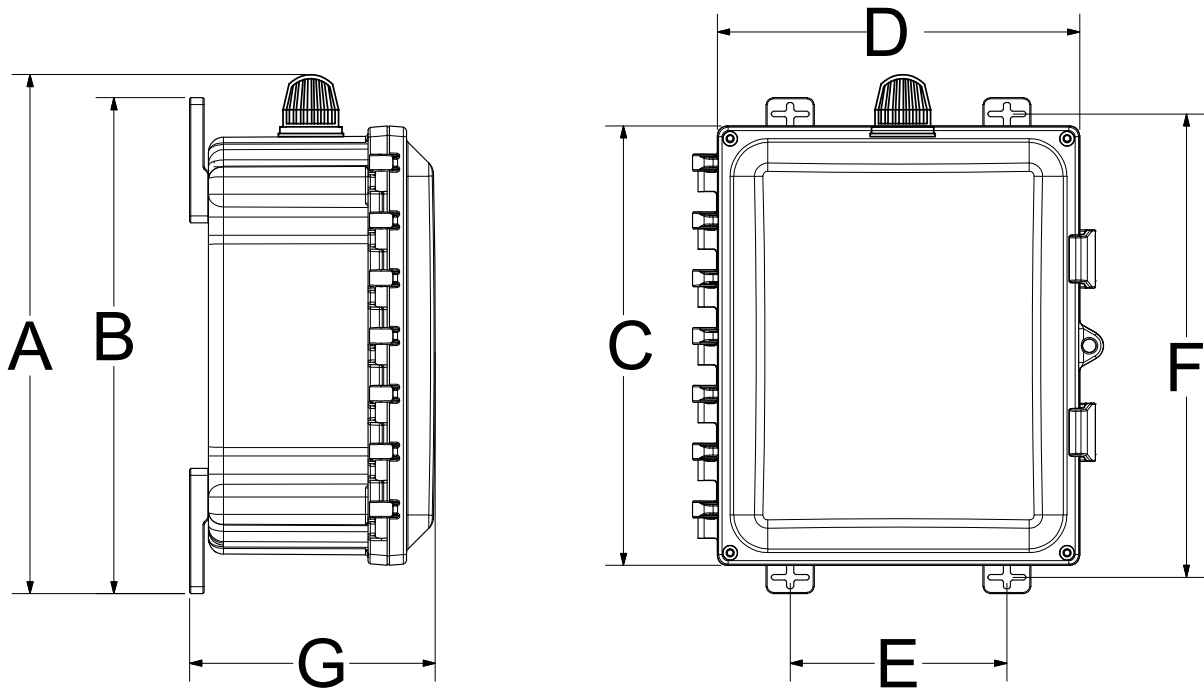
- | | |
|-------------------------------|---------------------|
| 1. TYPE 4X Enclosure | 5. VFD Enable Relay |
| 2. Main Disconnect Thru-Door | 6. Surge Protection |
| 3. VFD Run Indicator | 7. Terminal Strip |
| 4. VFD Enable Selector switch | 8. Line Reactor |



ENCLOSURE DIMENSIONS

STANDARD - 16x14x08

A	B	C	D	E	F	G
19.47	18.88	17.41	15.41	11.63	18.03	9.89



Panel Details

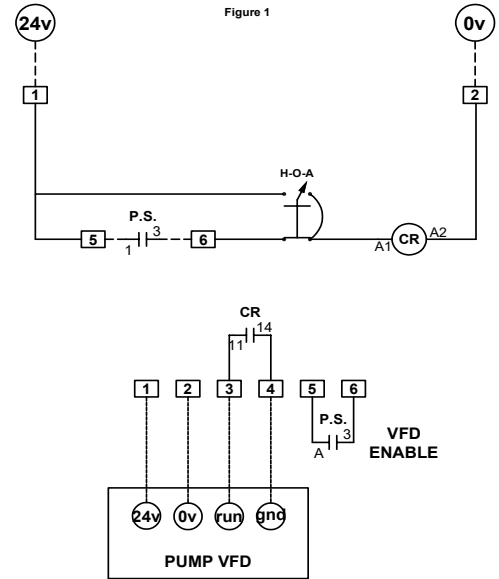
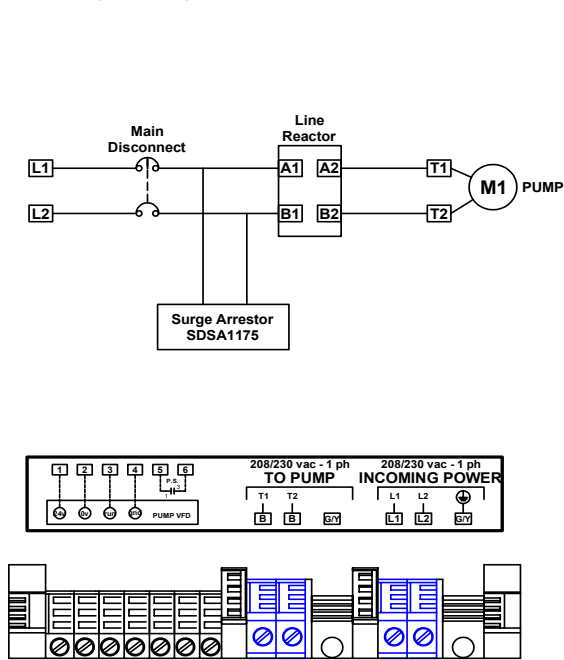
	Options
	UL508A & UL698A listed

	Voltage
12	208/240 1 Phase
32	208/240 3 Phase
34	460/480 3 Phase

	Horsepower
	LR05 1/2HP Line Reactor
	LR07 3/4HP Line Reactor
	LR1 1HP Line Reactor
	LR2 2HP Line Reactor
	LR3 3HP Line Reactor
	LR4 4HP Line Reactor
	LR5 5HP Line Reactor
	LR7 7.5HP Line Reactor
	LR10 10HP Line Reactor
	LR15 15HP Line Reactor
	LR20 20HP Line Reactor
	LR25 25HP Line Reactor
	LR30 30HP Line Reactor
	LR40 40HP Line Reactor
	LR50 50HP Line Reactor

WIRING DIAGRAM

1. Standard Wiring Controls & Incoming Power Service of 200/240vac - 1 phase. Simplex setup (Figure 1). Horsepower options available.



1. Standard Wiring Controls & Incoming Power Service of 200/240/480vac - 3 phase. Simplex setup (Figure 2). Horsepower options available.

